

HF3506/ HF3506A

FLASHER



Features

- Use MCU control circuit to ensure stable performance
- Surface mounting technology, advanced craftwork
- Solid base design, stable structure
- Ingress protection: IP50
- Double output

Typical Applications

Turn signal & Hazard warning lamp control

TYPE

Type	Nominal voltage VDC	Operating voltage range VDC	Nominal lamp load W	Control mode
HF3506/12-L	12	10 to16	2 x 21+5	with IG function
HF3506A/12-G	12	10 to16	2 x 21+5	without IG function

CHARACTERISTICS

Flash frequency	(60 to 110)ops / min	
Lamp failure flash frequency	(140 to 230)ops / min	
Duty Cycle	30% to 70%	
Electrical endurance	1000h(15s on,15s off, rate load)	
	360h(continuous, alarming)	
Internal voltage drop	500mV (5A) max.	
Ambient temperature	-40°C to 85°C	
Vibration resistance	10Hz to 200Hz , 49m/s ²	
Shock resistance	196m/s ²	
Unit weight	Approx. 35g	
Mechanical performance	Cover retention	160N min.
	Terminal retention	100N min.

ORDERING INFORMATION

Type	HF3506 / HF3506A/ Suffix (A-Z) is for specific extending application	12	-G	-B	(XXX)
Nominal voltage	12: 12VDC				
Trigger level	G: High level start up L: Low level start up				
Mounting mode	B: With bracket Nil: Without bracket				
Special code ¹⁾	XXX: Customer special requirement Nil: Standard				

Notes: 1) The customer special requirement express as special code after evaluating by Hongfa.



HONGFA RELAY

ISO9001, ISO/TS16949, ISO14001, OHSAS18001, IECQ QC 080000 CERTIFIED

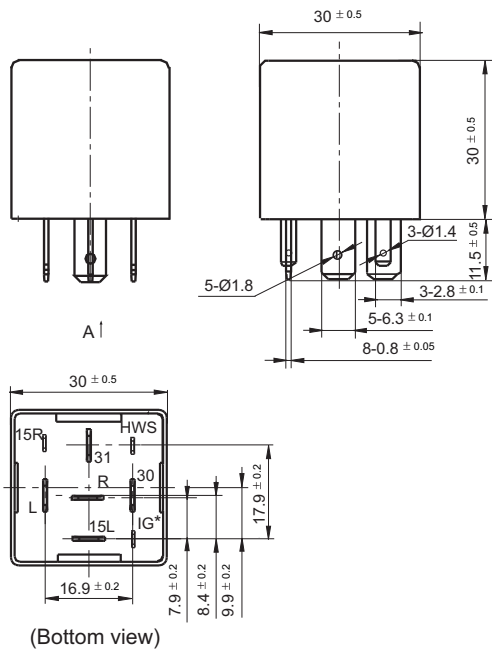
2015 Rev. 1.00

OUTLINE DIMENSIONS, WIRING DIAGRAM

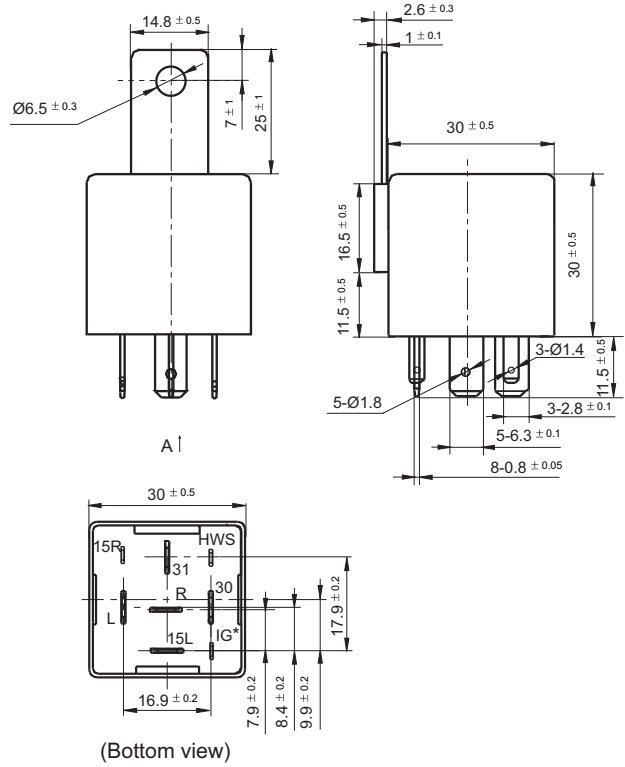
Unit: mm

OUTLINE DIMENSIONS

HF3506/□□-□(XXX)



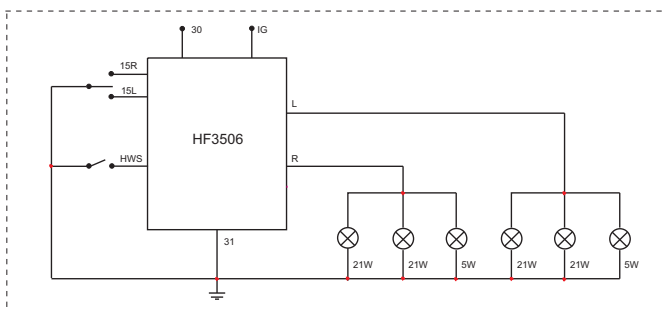
HF3506/□□-□-B(XXX)



Remark: * There is no IG terminal for HF3506A.

WIRING DIAGRAM

HF3506/12-L-□(XXX)



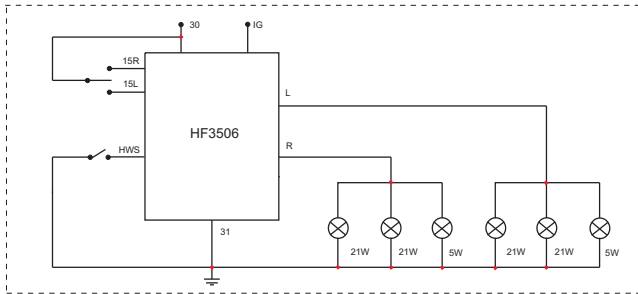
As shown in wiring diagram, the terminal 30 is connected with positive electrode of power supply. The 31 terminal is connected with negative electrode of power supply, the IG terminal is connected with IG power supply, 15R is connected with turn right lamp switch (active low), 15L is connected with turn left lamp switch (active low), HWS terminal is connected with hazard warning switch (active low), R terminal is connected with turn right lamp load, L terminal is connected with turn left lamp load. When load is 2 × 21W + 5W or 4 × 21W + 2 × 5W, the flasher will control lamp to flash by the frequency of (60 to 110) times per minute. When load is 21W + 5W (one lamp of 21W is broken down), the flasher will control lamp to flash by frequency of (140 to 230) times per minute.

OUTLINE DIMENSIONS, WIRING DIAGRAM

Unit: mm

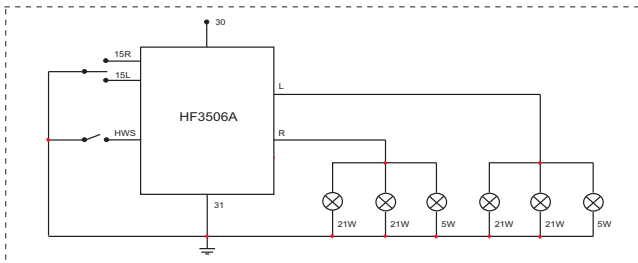
WIRING DIAGRAM

HF3506/12-G-□(XXX)



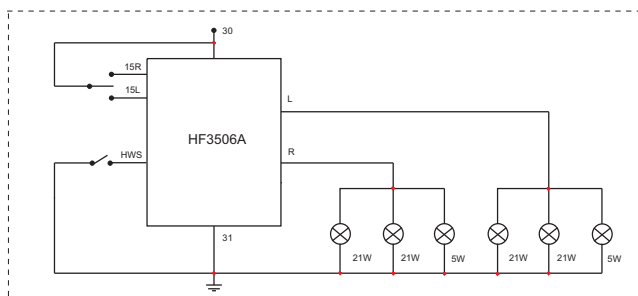
As shown in wiring diagram, the terminal 30 is connected with positive electrode of power supply. The 31 terminal is connected with negative electrode of power supply, the IG terminal is connected with IG power supply, 15R is connected with turn right lamp switch (active high), 15L is connected with turn left lamp switch (active high), HWS terminal is connected with hazard warning switch (active low), R terminal is connected with turn right lamp load, L terminal is connected with turn left lamp load. When load is $2 \times 21W + 5W$ or $4 \times 21W + 2 \times 5W$, the flasher will control lamp to flash by the frequency of (60 to 110) times per minute. When load is $21W + 5W$ (one lamp of 21W is broken down), the flasher will control lamp to flash by frequency of (140 to 230) times per minute.

HF3506A/12-L-□(XXX)



As shown in wiring diagram, the terminal 30 is connected with positive electrode of power supply. The 31 terminal is connected with negative electrode of power supply, 15R is connected with turn right lamp switch (active low), 15L is connected with turn left lamp switch (active low), HWS terminal is connected with hazard warning switch (active low), R terminal is connected with turn right lamp load, L terminal is connected with turn left lamp load. When load is $2 \times 21W + 5W$ or $4 \times 21W + 2 \times 5W$, the flasher will control lamp to flash by the frequency of (60 to 110) times per minute. When load is $21W + 5W$ (one lamp of 21W is broken down), the flasher will control lamp to flash by frequency of (140 to 230) times per minute.

HF3506A/12-G-□(XXX)



As shown in wiring diagram, the terminal 30 is connected with positive electrode of power supply. The 31 terminal is connected with negative electrode of power supply, 15R is connected with turn right lamp switch (active high), 15L is connected with turn left lamp switch (active high), HWS terminal is connected with hazard warning switch (active low), R terminal is connected with turn right lamp load, L terminal is connected with turn left lamp load. When load is $2 \times 21W + 5W$ or $4 \times 21W + 2 \times 5W$, the flasher will control lamp to flash by the frequency of (60 to 110) times per minute. When load is $21W + 5W$ (one lamp of 21W is broken down), the flasher will control lamp to flash by frequency of (140 to 230) times per minute.

Disclaimer

The specification is for reference only. See to "Terminology and Guidelines" for more information. Specifications subject to change without notice. In case there is specific criterion (such as mission profile, technical specification, PPAP etc.) checked and agreed by and between customer and Hongfa, this specific criterion should be taken as standard regarding any requirement on Hongfa product.

We could not evaluate all the performance and all the parameters for every possible application. Thus the user should be in a right position to choose the suitable product for their own application. If there is any query, please contact Hongfa for the technical service. However, it is the user's responsibility to determine which product should be used only.

© Xiamen Hongfa Electroacoustic Co., Ltd. All rights of Hongfa are reserved.