


Typical Applications

Suitable for all types of resistance, Sensibility and tolerance. Load control, such as Headlight, Gear pump, Motor.



Features

- No noise
- High electrical endurance
- Ambient temp.: range up to 125°C
- Low quiescent current (max. 20µA)
- Pulse width modulation (PWM)
- Ingress protection IP6K9K
- Pin assignment compliant with ISO 7588
- RoHS & ELV compliant

CHARACTERISTICS

type		Solid state relay
Shell material		Aluminium alloy
Nominal Voltage		12VDC
Operating voltage range		6VDC to 16VDC
Load capacity		40A@85°C 24A@125°C
Control voltage		NO:(6~16)VDC OFF:(0~4)VDC
Static current ⁽¹⁾		≤20µA
Electrical endurance ⁽²⁾		5 x 10 ⁵ OPS
Rated conduction resistance		2.5mΩ
Initial insulation resistance ⁽³⁾		20MΩ
Ambient temperature		-40°C to 125°C
Vibration resistance		20Hz~2000Hz, acceleration 107.3m/s ²
Shock resistance		500m/s ²
Protection class		IP6K9K
Unit weight		Approx. 40g

(1) Test voltage: 12.5V;

(2) Ambient temperature=125°C;

Power voltage=16VDC;

Load current=24A;

Switch sequence: 3S ON,3S OFF;

(3)Test voltage: 500VDC, Length: 60S。



HONGFA RELAY

ISO9001, ISO/TS16949, ISO14001, OHSAS18001, IECQ QC 080000 CERTIFIED

2018 Rev. 1.00

ORDERING INFORMATION

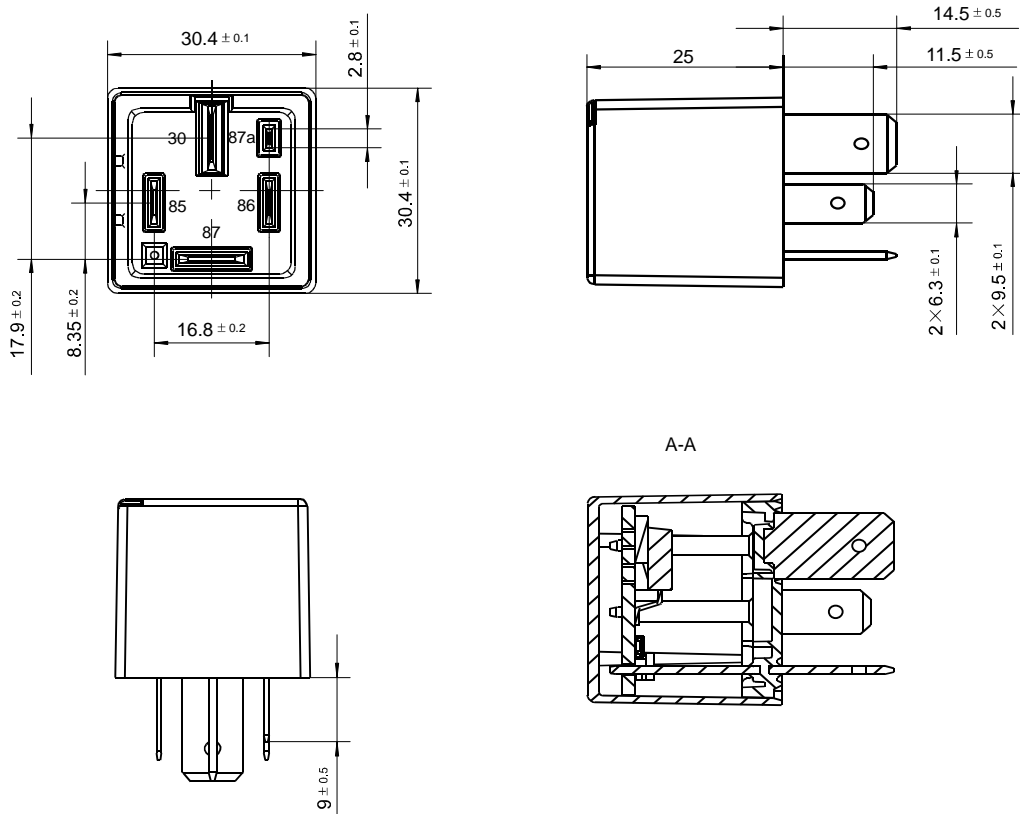
	HF3628 /	12	-H	L	40	(XXX)
Type						
Coil voltage	12: 12VDC					
Contact arrangement	H: 1 Form A					
Trigger level	G: High level start-up I: low level start-up					
electrical current specification	40: 40A					
Special code²⁾	XXX: Customer special requirement			Nil: Standard		

Notes:1) The customer special requirement express as special code after evaluating by Hongfa.

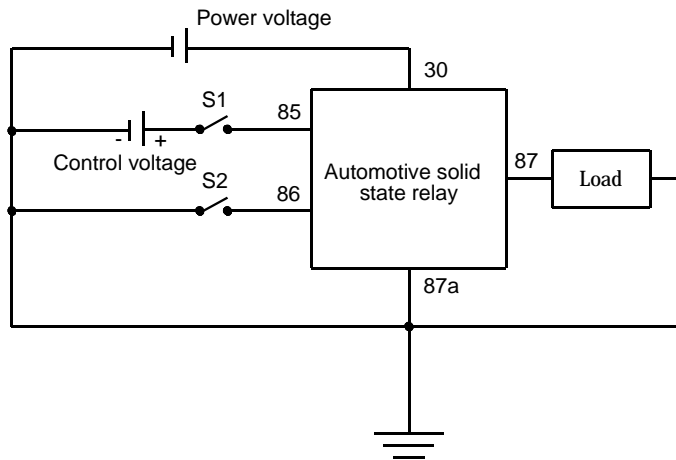
OUTLINE DIMENSIONS, TERMINAL FUNCTION AND WIRING DIAGRAM

Unit: mm

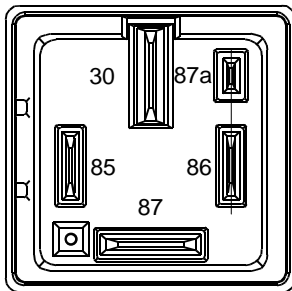
Outline Dimensions



Wiring Diagram



Terminal Function Definition



Terminal	Terminal dimension (mm)	Function
30	9.5 x 1.2	Input voltage
85	6.3 x 0.8	Input signal +/-
86	6.3 x 0.8	Input signal -/+
87	9.5 x 1.2	Load output
87a	2.8 x 0.8	Ground

Disclaimer


The specification is for reference only. See to "Terminology and Guidelines" for more information. Specifications subject to change without notice. In case there is specific criterion (such as mission profile, technical specification, PPAP etc.) checked and agreed by and between customer and Hongfa, this specific criterion should be taken as standard regarding any requirement on Hongfa product.

We could not evaluate all the performance and all the parameters for every possible application. Thus the user should be in a right position to choose the suitable product for their own application. If there is any query, please contact Hongfa for the technical service. However, it is the user's responsibility to determine which product should be used only.

© Xiamen Hongfa Electroacoustic Co., Ltd. All rights of Hongfa are reserved.

Typical Applications

Suitable for all types of resistance, Sensibility and tolerance. Load control, such as Headlight, Gear pump, Motor.



Features

- No noise
- High electrical endurance
- Ambient temp.: range up to 125°C
- Low quiescent current (max.20μA)
- Pulse width modulation (PWM)
- Ingress protection IP6K9K
- Pin assignment compliant with ISO 7588
- RoHS & ELV compliant

CHARACTERISTICS

type		Solid state relay
Shell material		Aluminium alloy
Nominal Voltage		12VDC
Operating voltage range		6VDC to 16VDC
Load capacity		40A@85°C 24A@125°C
Control voltage		NO:(6~16)VDC OFF:(0~4)VDC
Static current ⁽¹⁾		≤20μA
Electrical endurance ⁽²⁾		5 x 10 ⁵ OPS
Rated conduction resistance		2.5mΩ
Initial insulation resistance ⁽³⁾		20MΩ
Ambient temperature		-40°C to 125°C
Vibration resistance		20Hz~2000Hz, acceleration 107.3m/s ²
Shock resistance		500m/s ²
Protection class		IP6K9K
Unit weight		Approx. 40g

(1) Test voltage: 12.5V;

(2) Ambient temperature=125°C;

Power voltage=16VDC;

Load current=24A;

Switch sequence: 3S ON,3S OFF;

(3)Test voltage: 500VDC, Length: 60S.



HONGFA RELAY

ISO9001, ISO/TS16949, ISO14001, OHSAS18001, IECQ QC 080000 CERTIFIED

2018 Rev. 1.00

ORDERING INFORMATION

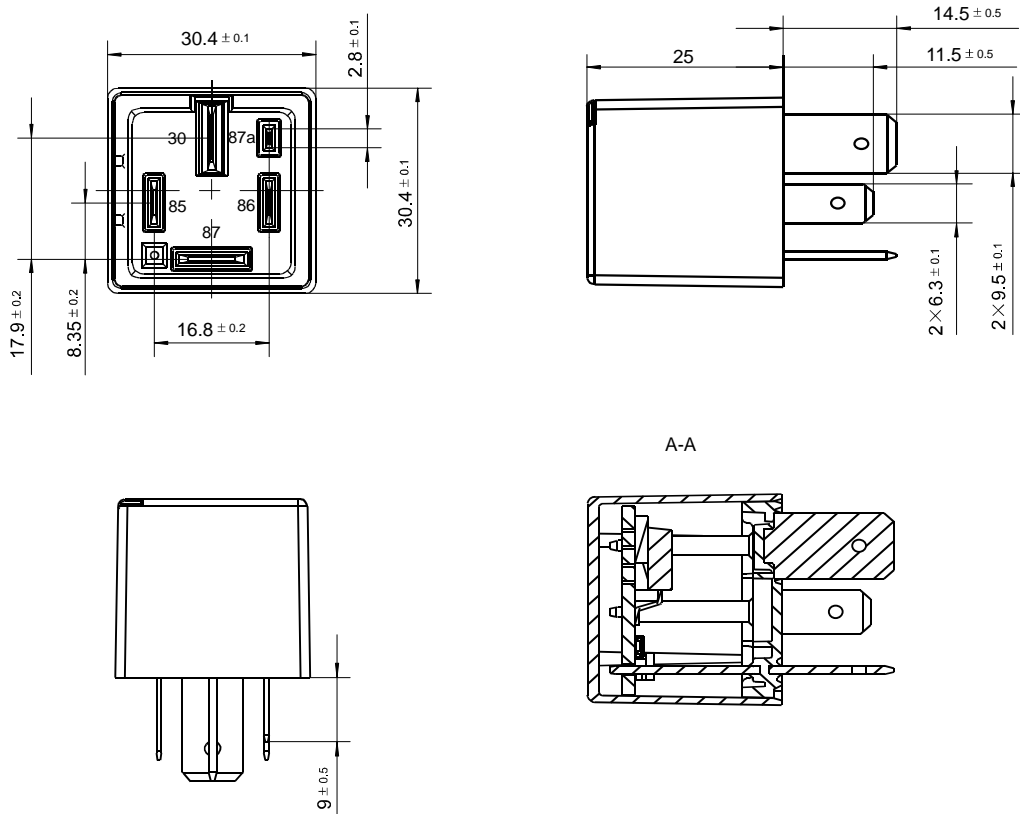
	HF3628 /	12	-H	L	40	(XXX)
Type						
Coil voltage	12: 12VDC					
Contact arrangement	H: 1 Form A					
Trigger level	G: High level start-up I: low level start-up					
electrical current specification	40: 40A					
Special code²⁾	XXX: Customer special requirement			Nil: Standard		

Notes:1) The customer special requirement express as special code after evaluating by Hongfa.

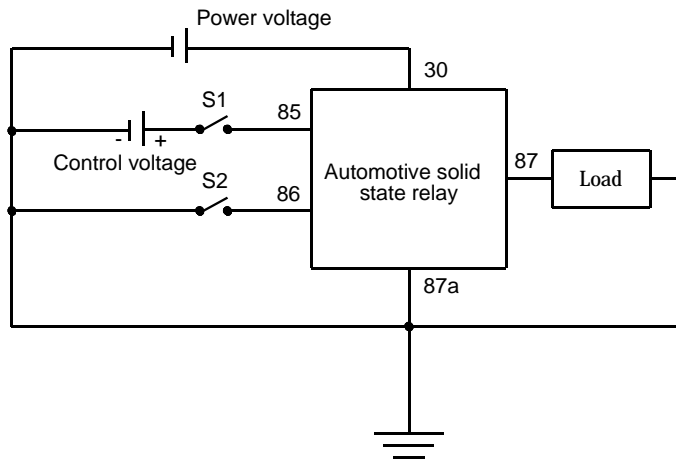
OUTLINE DIMENSIONS, TERMINAL FUNCTION AND WIRING DIAGRAM

Unit: mm

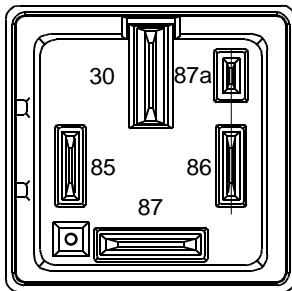
Outline Dimensions



Wiring Diagram



Terminal Function Definition



Terminal	Terminal dimension (mm)	Function
30	9.5 x 1.2	Input voltage
85	6.3 x 0.8	Input signal +/-
86	6.3 x 0.8	Input signal -/+
87	9.5 x 1.2	Load output
87a	2.8 x 0.8	Ground

Disclaimer

The specification is for reference only. See to "Terminology and Guidelines" for more information. Specifications subject to change without notice. In case there is specific criterion (such as mission profile, technical specification, PPAP etc.) checked and agreed by and between customer and Hongfa, this specific criterion should be taken as standard regarding any requirement on Hongfa product.

We could not evaluate all the performance and all the parameters for every possible application. Thus the user should be in a right position to choose the suitable product for their own application. If there is any query, please contact Hongfa for the technical service. However, it is the user's responsibility to determine which product should be used only.

© Xiamen Hongfa Electroacoustic Co., Ltd. All rights of Hongfa are reserved.