

# HFE28

# HIGH POWER LATCHING RELAY



## Features

- 100A Latching relay
- Electrical endurance 10000ops
- According to IEC62055-31:UC1, UC2, UC3
- AC-voltage driving is feasible
- Contact resistance  $\leq 0.35m\Omega$

## CONTACT DATA

Contact arrangement	2A, 2B, 2U, 2V
Contact resistance <sup>1)</sup>	Typ.:0.35m $\Omega$ max.(at 100A) <sup>2)</sup>
Contact material	AgSnO <sub>2</sub>
Contact rating	100A 230VAC/28VDC
Max. switching voltage	265VAC
Max. switching current	100A
Rated switching power	23000VA/2800W
Mechanical endurance	1 x 10 <sup>5</sup> OPS

**Notes:**1)The data shown above are initial values.

2) Typical value: Sampling quantity for contact resistance shall not less than 20 pcs, take the average value from 5 continous measurements for each sample.

## CHARACTERISTICS

Insulation resistance	1000M $\Omega$ (at 500VDC)	
Dielectric strength	Between coil & contacts	4000VAC 1min
	Between open contacts	2500VAC 1min
Creepage distance	9.6mm	
Set time (at nomi. volt.)	20ms max.	
Reset time (at nomi. volt.)	20ms max.	
Shock resistance	Functional	98m/s <sup>2</sup>
	Destructive	980m/s <sup>2</sup>
Vibration resistance	10Hz to 55Hz 1.5mm DA	
Humidity	5% to 85% RH	
Ambient temperature	-40°C to 85°C	
Termination	Coil termination	PCB&QC
	Load termination	QC
Unit weight	Approx. 220g	
Construction	Dust protected	

**Notes:** The data shown above are initial values.

## COIL

Coil power	Single coil latching: Approx. 5W
	Double coils latching: Approx. 10W

## COIL DATA

at 23°C

### Single coil latching

Nominal Voltage VDC	Set / Reset Voltage VDC <sup>1)</sup> max.	Pulse Duration (Recommended) ms	Coil Resistance x (1 $\pm$ 10%) $\Omega$
6	$\leq 4.8$	50~100	7.2
9	$\leq 7.2$	50~100	16.2
12	$\leq 9.6$	50~100	28.8
24	$\leq 19.2$	50~100	114
48	$\leq 38.4$	50~100	460

### Double coils latching

Nominal Voltage VDC	Set / Reset Voltage VDC <sup>1)</sup> max.	Pulse Duration (Recommended) ms	Coil Resistance x (1 $\pm$ 10%) $\Omega$
6	$\leq 4.8$	50~100	3.6+3.6
9	$\leq 7.2$	50~100	8.1+8.1
12	$\leq 9.6$	50~100	14.4+14.4
24	$\leq 19.2$	50~100	57+57
48	$\leq 38.4$	50~100	230+230

**Notes:**1) The data shown above are initial values ; recommended driving voltage is 1~1.5times of rated voltage.

Nominal Voltage VAC	Set / Reset Voltage VAC max.	Pulse Duration ms min.	Coil Resistance x (1 $\pm$ 10%) $\Omega$	
230	161	50: full-wave rectification	Single coil latching	2420
230	161	100: half-wave rectification	Double coils latching	1210+1210



HONGFA RELAY

ISO9001, ISO/TS16949, ISO14001, OHSAS18001, IECQ QC 080000 CERTIFIED

2019 Rev. 1.00

## ELECTRICAL ENDURANCE

UC Class	Voltage (Uc)	Current (Ic)	Power Factor	Close Open time (s)	Electrical endurance (OPS)	
415 (UC1)	230VAC	80A	COSØ=1	10:20	3000	Total:6000
		10A	COSØ=0.4		3000	
416 (UC2)		80A	COSØ=1		5000	Total:10000
			COSØ=0.5		5000	
417 (UC3)		100A	COSØ=1		5000	Total:10000
			COSØ=0.5		5000	

**Notes:** 1) Electrical endurance meet IEC62055-31 test requirement, do the inductive load test after the resistive load test.  
2) Only some typical ratings of UC are listed above, if more special ratings required, please contact us.

## ORDERING INFORMATION

<b>Type</b>	HFE28 -140 /12 -2D T 2 -R (XXX)						
<b>Sampling resistance</b>	140: 140µΩ 280: 280µΩ Nil: Without sampling resistance						
<b>Coil voltage</b>	6, 9, 12, 24, 48VDC; 230VAC						
<b>Contact form</b> <sup>1)</sup>	2D: 2 Form B (Single-contact) 2H: 2 Form A (Single-contact) 2SD: 2 Form B (Double-contact of 2 Form B) 2SH: 2 Form A (Double-contact of 2 Form A)						
<b>Contact material</b>	T: AgSnO <sub>2</sub>						
<b>Sort</b>	1: Single coil latching      2: Double coils latching						
<b>Polarity</b>	R: Negative polarity      Nil: Positive polarity						
<b>Special code</b> <sup>2)3)</sup>	XXX: Customer special requirement						

**Notes:** 1) 2H, 2SH means that relay is on the "reset" status when delivery; 2D, 2SD means that relay is on the "set" status when delivery. If no special required by customer, we will keep the relay on the "set" status when delivery.  
2) Please make clear your technical requirements, and choose from the following 3 UC ratings:  
UC1: meet the UC1 requirements on IEC62055-31: Carrying test 2400A peak current for 10ms;  
UC2: meet the UC2 requirements on IEC62055-31: Making test:2.5kA/10ms, carrying test 4.5kA /10ms;  
UC3: meet the UC3 requirements on IEC62055-31: Making test:3kA/10ms, carrying test 6kA/10ms.  
3) The customer special requirement express as special code after evaluating by Hongfa. e.g. (415) stands for UC1; e.g. (416) stands for UC2; e.g. (417) stands for UC3.

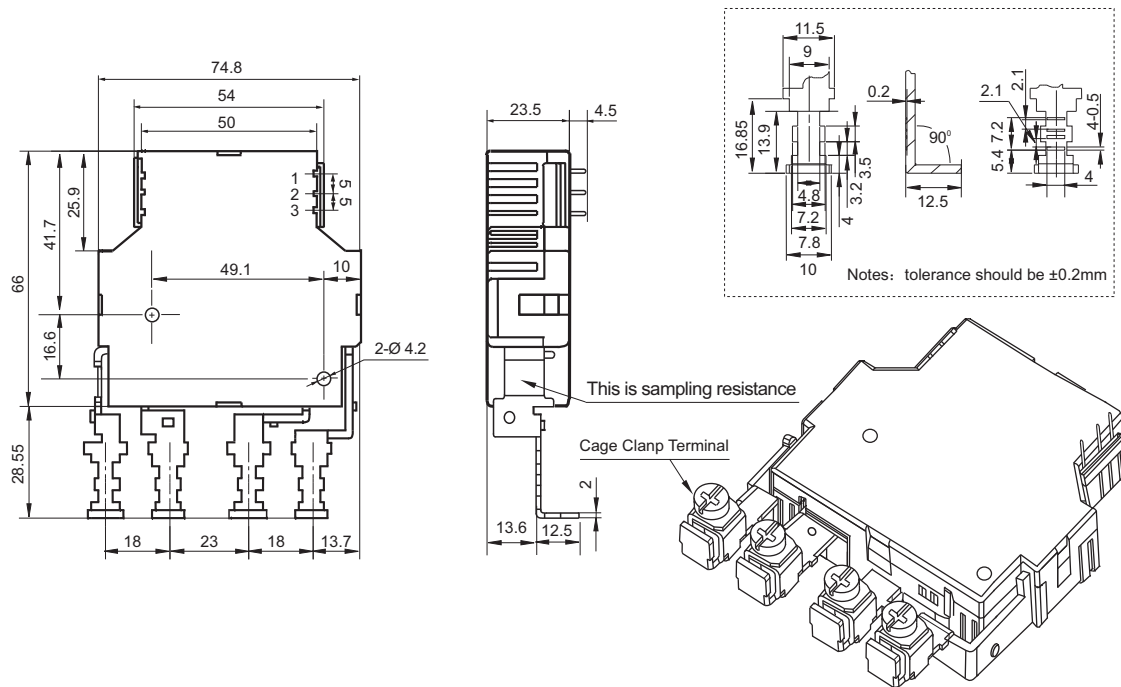
### Notice:

- Relay is on the "reset" or "set" status when being released from stock, with the consideration of shock risen from transit and relay mounting, relay would be changed to "set" or "reset" status, therefore, when application (connecting the power supply), please reset the relay to "set" or "reset" status on request.
- Do not energize voltage to "set" coil and "reset" coil simultaneously. And also long energized time (more than 1 min) should be avoided.
- Normally the load terminals are not suitable for reflow solder, wave solder or tin solder, we suggest use spot welding. Load terminals shall be prevented from assembly stress, or freely move.
- Relays used for metering measuring applications are usually made with dust proof structure, while most relays could be made specially per customer's specific requirements. No longer than 6 months' storage time is recommended for this kind of relay, and please pay attention to the storage environment. To ensure contact reliability, we will keep contact status be closed when delivery if no special required by customer.

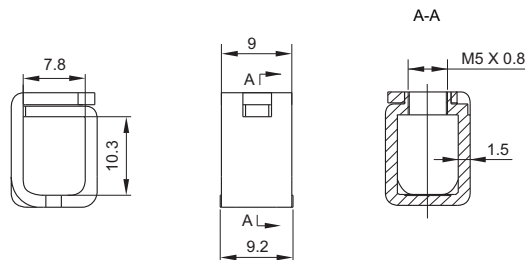
# OUTLINE DIMENSIONS AND WIRING DIAGRAM

Unit: mm

## Outline Dimensions



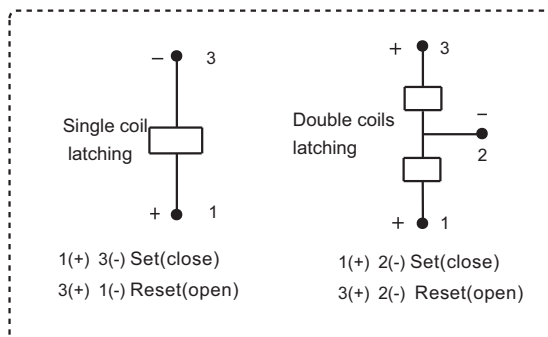
## Cage Clamp Terminal



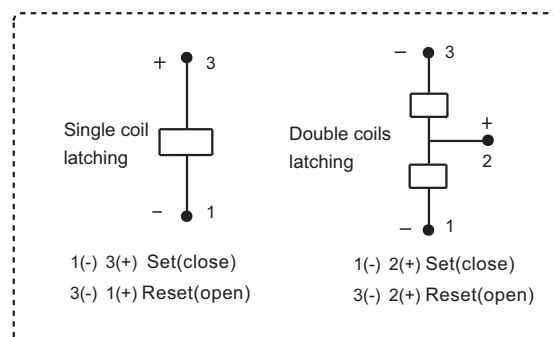
Remark: In case of no tolerance shown in outline dimension: outline dimension  $\leq 1\text{mm}$ , tolerance should be  $\pm 0.2\text{mm}$ ; outline dimension  $> 1\text{mm}$  and  $\leq 5\text{mm}$ , tolerance should be  $\pm 0.3\text{mm}$ ; outline dimension  $> 5\text{mm}$ , tolerance should be  $\pm 0.4\text{mm}$ .

## Coil Wiring Diagram

### Positive polarity



### Negative polarity



## Disclaimer

The specification is for reference only. Specifications subject to change without notice. We could not evaluate all the performance and all the parameters for every possible application. Thus the user should be in a right position to choose the suitable product for their own application. If there is any query, please contact Hongfa for the technical service. However, it is the user's responsibility to determine which product should be used only.

© Xiamen Hongfa Electroacoustic Co., Ltd. All rights of Hongfa are reserved.