

7" and 10" Wide Basic HMI



Features:

- 10" wide screen with 65k colors
- Flexible networking connectivity options: embedded ethernet port, and two serial ports supporting over 90 protocols
- Supports both landscape and portrait modes
- Advanced software features supported on an economical hardware platform
- Real time clock with replaceable battery
- Compatible with EZ Series HMI USB accessories (Towerlight, Fingerprint Reader, Illuminated Push Buttons, Numpad)

Specifications

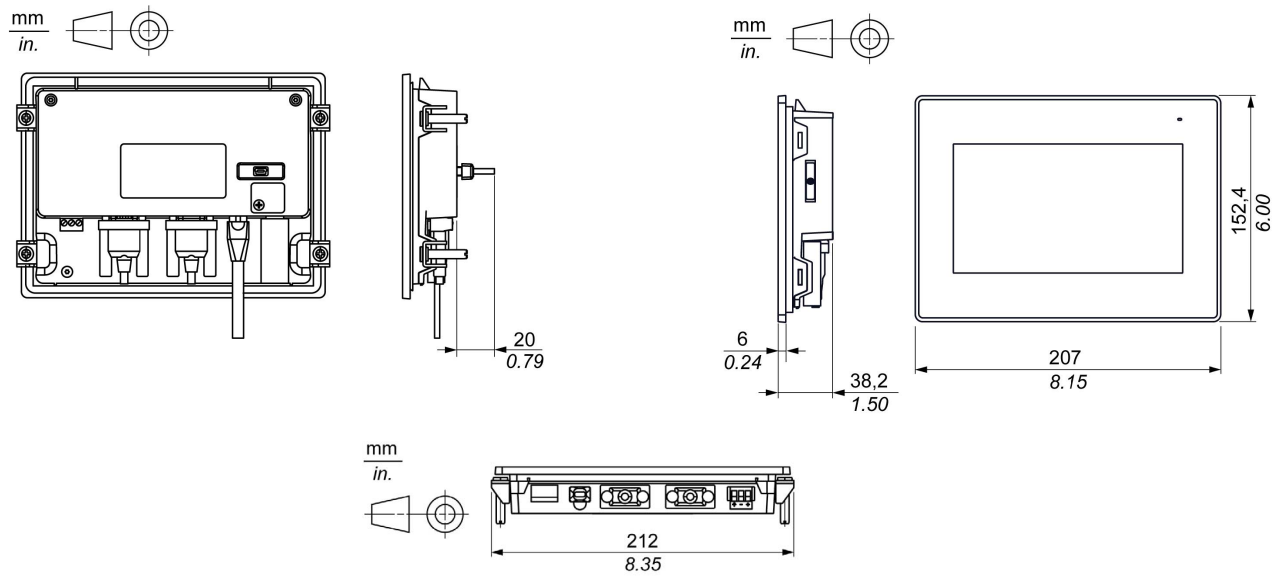
Part Number	PFXGP4402WADW	PFXGP4502WADW
Display Size	7.0"	10.0"
Display Type	TFT Color LCD	
Resolution	800 x 480 pixels (WVGA)	
Display Colors	65,536 Colors	
Backlight	LED	
Application Memory	FLASH EPROM 32 MB *1	
Data Backup	FLASH EPROM 128 KB	
Serial (COM1)	RS-232C (D-Sub 9-pin, plug)	
Serial (COM2)	RS-422 / 485 (D-Sub 9-pin, plug)	
Ethernet (LAN)	10 / 100 Mbps (RJ-45 Modular Jack)	
USB (Type-A)	USB 2.0 x 1 (Type A)	
USB (mini-B)	USB 2.0 x 1 (mini-B)	
Rated Input Voltage	24 Vdc	
Power Consumption	9.2 W	10 W
Ambient Oper. Temp.	0 to 50 °C [32 to 122 °F]	
Weight Approx.	0.56 kg [1.235 lb]	1.075 kg [2.370]
Structure	Front Panel: (IEC60529), Enclosure type 4 indoor use only (UL 50) with screw installation fasteners, Rear Panel: IP 20 (IEC 60529)	
External Dimensions	W207 x H152.4 x D38.2 mm [W8.15 x H6.00 x D1.50 in.]	W275 x H206 x D38.2 mm [W10.85 x H8.11 x D1.50 in.]

*1 Capacity available for user application. The capacity depends on how many fonts you load from the Editor software.

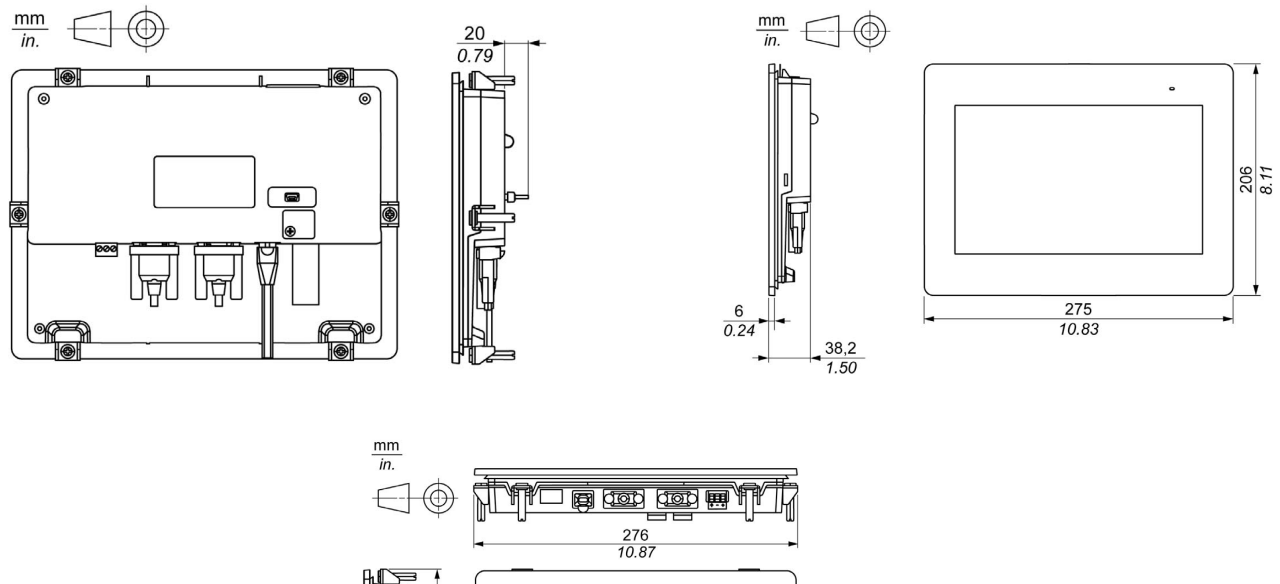
Accessories

Product Name	Model Number	Description
Installation fastener	PFXZCFAF1	Used to install GP4x02WW into a solid panel
USB-Serial (RS-232C) Conversion Cable (0.5m)	CA6-USB232-01	Cable for converting a USB interface into a serial interface (RS-232C). Allows connection to modems or bar code readers that support RS-232C.
USB Transfer Cable (USB Type A / mini-B) (1.8 m)	ZC9USCBMB1	Cable for transferring screen data from a PC (USB Type A) to this product (USB mini-B).
EZ Illuminated Switch	PFXZCCEUSG1	A unit of 5 illuminated switches with multiple color LED connected to this product via USB.
EZ Numpad	PFXZCCEUKB1	Numpad connected to this product via USB.
EZ Tower Light tube mounting with fixing plate	PFXZCETWHA1	USB Connection Type Monolithic EZ Tower Light tube mounting with fixing plate. 3 tiers, Ø60, lighting and flashing with a buzzer.
EZ Tower Light with base mounting	PFXZCETWW1	USB Connection Type Monolithic EZ Tower with base mounting. 3 tiers, Ø60, lighting and flashing with a buzzer.
Replacement Battery	PFXZGEBT1	Primary battery for memory and time data backup (1 pc)
7.0" Wide Installation Gasket	PFXZCCWG7W1	Provides dust and moisture resistance when GP is installed into a solid panel (1pc)
10.1" Wide Installation Gasket	PFXZCCWG10W1	Provides dust and moisture resistance when GP is installed into a solid panel (1pc)
7.0" Wide Screen Protection Sheet	PFXZCBDS72	Disposable, dirt resistant sheet for the display (5 pcs/set).
10.1" Wide Screen Protection Sheet	PFXZCDDS102	Disposable, dirt resistant sheet for the display (5 pcs/set).
7" Wide UV Protection Sheet	PFXZCFUV72	Ultraviolet protection for display (1pc).
10" Wide UV Protection Sheet	PFXZCFUV102	Ultraviolet protection for display (1pc).
DC Power Supply Connector	CA5-DCCNM-01	Connector to connect power supply cables (5 pcs/set).

External Dimensions — 7.0" GP4402



External Dimensions — 10.0" GP4502





California Proposition 65 Warning—Lead and Lead Compounds

Advertencia de la Proposición 65 de California—Plomo y compuestos de plomo

Avertissement concernant la Proposition 65 de Californie—Plomb et composés de plomb

⚠ WARNING: This product can expose you to chemicals including lead and lead compounds, which are known to the State of California to cause cancer and birth defects or other reproductive harm. For more information go to: www.P65Warnings.ca.gov.

⚠ ADVERTENCIA: Este producto puede exponerle a químicos incluyendo plomo y compuestos de plomo, que es (son) conocido(s) por el Estado de California como causante(s) de cáncer y defectos de nacimiento u otros daños reproductivos. Para mayor información, visite : www.P65Warnings.ca.gov.

⚠ AVERTISSEMENT: Ce produit peut vous exposer à des agents chimiques, y compris plomb et composés de plomb, identifiés par l'État de Californie comme pouvant causer le cancer et des malformations congénitales ou autres troubles de l'appareil reproducteur. Pour de plus amples informations, prière de consulter: www.P65Warnings.ca.gov.

All trademarks are the property of Schneider Electric SE, its subsidiaries, and affiliated companies.

Schneider Electric USA, Inc.
800 Federal Street
Andover, MA 01810 USA
888-778-2733
www.schneider-electric.us

Todas las marcas comerciales son propiedad de Schneider Electric SE, sus filiales y compañías afiliadas.

Importado en México por:
Schneider Electric México, S.A. de C.V.
Av. Ejercito Nacional No. 904
Col. Palmas, Polanco 11560 México, D.F.
55-5804-5000
www.schneider-electric.com.mx

Toutes les marques commerciales sont la propriété de Schneider Electric SE, ses filiales et compagnies affiliées.

Schneider Electric Canada, Inc.
5985 McLaughlin Road
Mississauga, ON L5R 1B8 Canada
800-565-6699
www.schneider-electric.ca