



DELTA ELECTRONICS, INC.

www.delta.com.tw/industrialautomation

IABU Headquarters

Delta Electronics, Inc.

Taoyuan1

31-1, Xingbang Road, Guishan Industrial Zone,
Taoyuan County 33370, Taiwan, R.O.C.

TEL: 886-3-362-6301 / FAX: 886-3-362-7267

Asia

Delta Electronics (Jiang Su) Ltd.

Wujiang Plant3

1688 Jiangxing East Road,
Wujiang Economy Development Zone,
Wujiang City, Jiang Su Province,
People's Republic of China (Post code: 215200)
TEL: 86-512-6340-3008 / FAX: 86-512-6340-7290

Delta Greentech (China) Co., Ltd.

238 Min-Xia Road, Cao-Lu Industry Zone, Pudong, Shanghai,
People's Republic of China

Post code : 201209

TEL: 021-58635678 / FAX: 021-58630003

Delta Electronics (Japan), Inc.

Tokyo Office

Delta Shibadaimon Building, 2-1-14
Shibadaimon, Minato-Ku, Tokyo, 105-0012,
Japan

TEL: 81-3-5733-1111 / FAX: 81-3-5733-1211

Delta Electronics (Korea), Inc.

234-9, Duck Soo Building 7F, Nonhyun-Dong,
Kangnam-Gu, Seoul, Korea 135-010

TEL: 82-2-515-5305 / FAX: 82-2-515-5302

Delta Electronics (Singapore) Pte. Ltd.

8 Kaki Bukit Road 2, #04-18 Ruby Warehouse Complex,
Singapore 417841

TEL: 65-6747-5155 / FAX: 65-6744-9228

Delta Power Solutions (India) Pte. Ltd.

Plot No. 28, Sector-34, EHTP

Gurgaon-122001 Haryana, India

TEL: 91-124-416-9040 / FAX: 91-124-403-6045

America

Delta Products Corporation (USA)

Raleigh Office

P.O. Box 12173, 5101 Davis Drive,
Research Triangle Park, NC 27709, U.S.A.

TEL: 1-919-767-3813 / FAX: 1-919-767-3969

Delta Greentech (Brasil) S/A

Sao Paulo Office

Rua Itapeva, N° 26, 3° andar, Bela vista
ZIP: 01332-000 - São Paulo - SP - Brasil

TEL: 55-11-3568-3875 / FAX: 55-11-3568-3865

Europe

Deltronics (The Netherlands) B.V.

Eindhoven Office

De Witbogt 15, 5652 AG Eindhoven, The Netherlands

TEL: 31-40-2592850 / FAX: 31-40-2592851

*We reserve the right to change the information in this catalogue without prior notice.



DELTA ELECTRONICS, INC.

ASDA-AB

DELTA *ASDA-AB* AC Servo System



AC Servo System

ASDA-AB

Features

Complete Functionality

Suitable for wide variety of applications

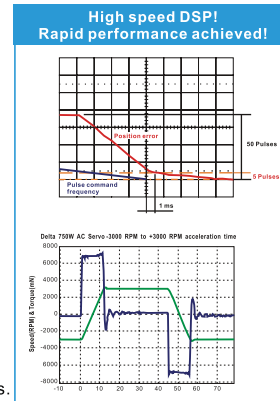
- Built-in Position/Speed/Torque modes.
- Dual control modes.
- Speed / Torque Limit Operation
- Multi-groups of electronic gear ratio
- External JOG function.
- User-defined digital inputs and outputs

Excellent Performance

- Motor settling time below 1msec
- Speed responsiveness characteristic: 450Hz
- Great stability and performance at low speed: less than 0.5% error at 1r/min per rotation, 10ms acceleration time from -3000 r/min to 3000 r/min when running without load.

Modbus Communication

- Built-in RS-485/RS-422/RS-232 communication interface.
- Qualified to set target position and speed via communication settings.
- Capable of multi-axis connections by using RS-485/RS-422.



Built-in Powerful Position Control Function

Able to eliminate external controller

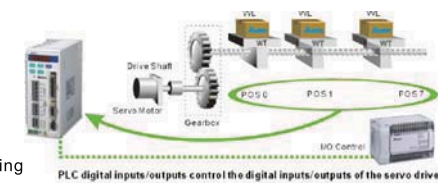
- Selectable absolute and incremental encoder.
- User-defined acceleration and deceleration curve.
- Built-in homing function.
- JOG mode and position teaching feature.

Single-axis position control

- 8 internal memorized position settings and 8 corresponding moving speeds, capable of planning 8 positions freely.
- When performing position control function via communication, the users can change the internal position commands and moving speeds on-line and control an unlimited number of positions.

Feed step control

- PC-based controller and PLC can achieve the functions of feed step control, torque auto-reduction, and position error clear via communication or digital I/O signals.
- Auto-zeroing function is able to greatly reduce the power consumption and improve the motor overheat problem caused by the mechanical engagement error during positioning.
- Major applications: Cutting Control of Machining Center, Rotary Indexing Machine, Feeding Machine.



ASDA-Soft Servo Software

New version of ASDA-Soft servo software has a better interface and is built-in with more functions, greatly enhancing the handiness of the software and considerably shortening the time for the users to get used to ASDA-Soft.

Select Servo Drive

- Auto-detect communication protocol
- Communication protocol quick setting
- Multi-language selection

Read/Write Parameters

- Support different version of servo drive
- Provide on-line parameter explanation
- Built-in version conversion function

Choose Control Mode

- Fast control mode selection
- Graphical and easy parameters settings
- Shorten the time of learning the product

Adjust Gain Settings

- Auto gain tuning for convenient gain adjustment.
- Manual gain tuning for calculating responsiveness and inertia.
- FFT monitor function to suppress mechanical resonant.

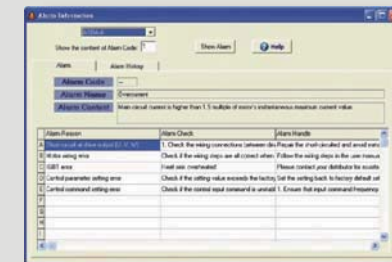
Monitor Operation

- Digital oscilloscope feature, able to monitor three channels of signals.
- Support continue scope and trigger scope function

Complete Tuning



Other Function:



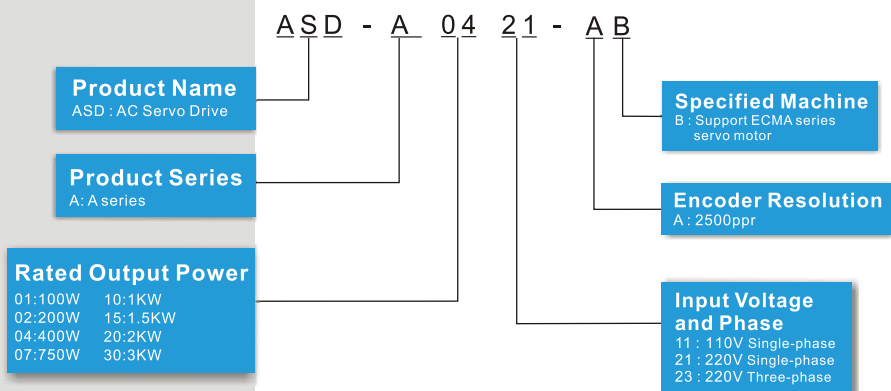
Real-time alarm information display.

AC Servo System

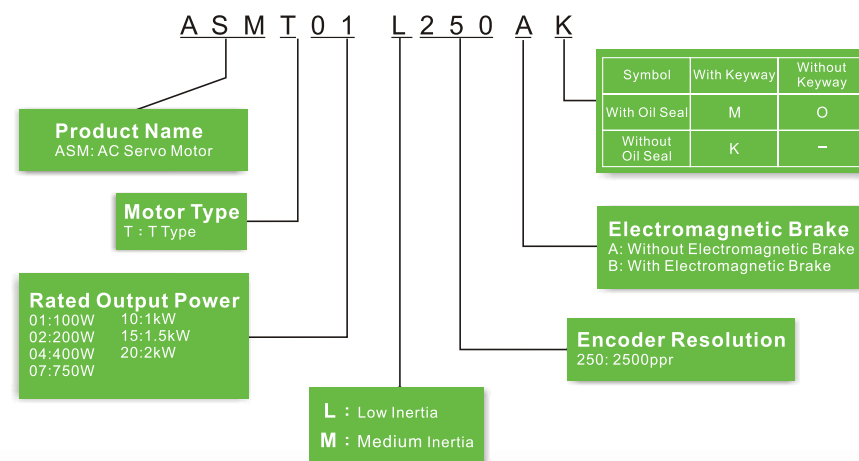
ASDA-AB

Model Name Explanation

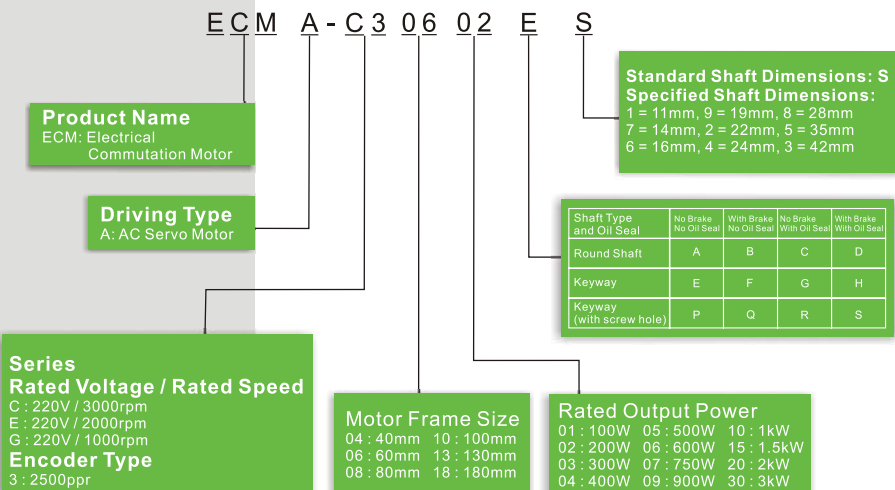
ASDA-AB Series Servo Drive



ASMT Series Servo Motor



ECMA Series Servo Motor



AC Servo System

ASDA-AB

Servo Drive and Servo Motor Combinations

Power	Servo Drive	Servo Motor (ECMA Series)	Servo Motor (ASMT Series)
100W	ASD-A0121-AB ASD-A0111-AB	ECMA-C30401□S(S=8mm)	ASMT01L250□□
200W	ASD-A0221-AB ASD-A0211-AB	ECMA-C30602□S(S=14mm)	ASMT02L250□□
400W	ASD-A0421-AB ASD-A0411-AB	ECMA-C30604□S(S=14mm) ECMA-C30804□7(S=14mm) ECMA-E31305□S(S=22mm) ECMA-G31303□S(S=22mm)	ASMT04L250□□
750W	ASD-A0721-AB	ECMA-C30807□S(S=19mm) ECMA-G31306□S(S=22mm)	ASMT07L250□□
1000W	ASD-A1021-AB	ECMA-C31010□S(S=22mm) ECMA-E31310□S(S=22mm) ECMA-G31309□S(S=22mm)	ASMT10L250□□ ASMT10M250□□
1500W	ASD-A1521-AB	ECMA-E31315□S(S=22mm)	ASMT15M250□□
2000W	ASD-A2023-AB	ECMA-C31020□S(S=22mm) ECMA-E31320□S(S=22mm) ECMA-E31820□S(S=35mm)	ASMT20L250□□ ASMT20M250□□
3000W	ASD-A3023-AB	ECMA-E31830□S(S=35mm)	

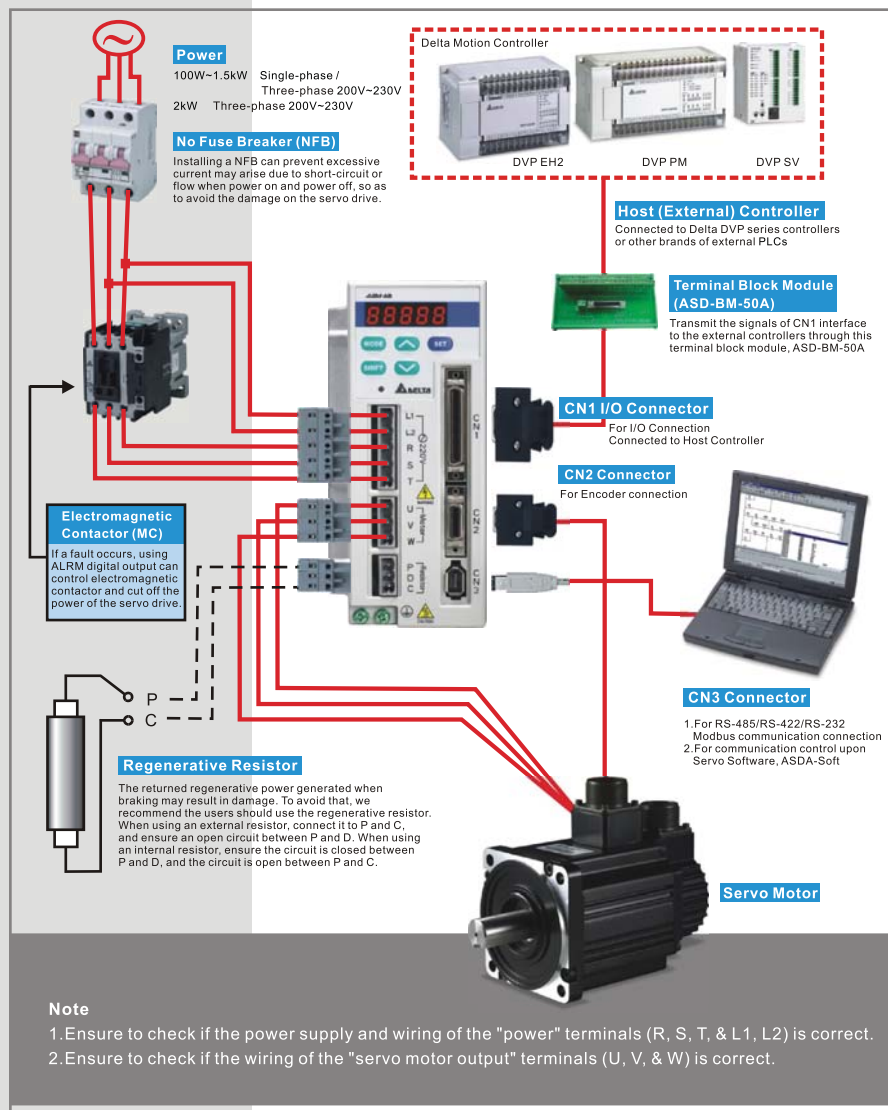
Note: □ The boxes in the model names are for optional configurations (brake, shaft type and oil seal).

AC Servo System

Configuration and Specifications



System Configuration



Specifications of Servo Drive (ASDA-AB Series)

ASDA-AB Series		100W	200W	400W	100W	200W	400W	750W	1kW	1.5kW	2kW	3kW	
		01	02	04	01	02	04	07	10	15	20	30	
Power Supply	Phase / Voltage	Three-phase: 170~255VAC, 50 / 60Hz±5% Single-phase: 200~255VAC, 50 / 60Hz±5%											
	Continuous Output Current	1.1 Arms	1.7 Arms	3.3 Arms	1.1 Arms	1.7 Arms	3.3 Arms	5.0 Arms	6.8 Arms	10.6 Arms	13.4 Arms	17.5 Arms	
Cooling System		Natural Air Circulation						Fan Cooling					
Encoder Resolution / Feedback Resolution		2500ppr / 10000ppr											
Control of Main Circuit		SVPWM (Space Vector Pulse Width Modulation) Control											
Tuning Modes		Easy / Auto / Manual											
Dynamic Brake		Built-in											
Position Control Mode	Max. Input Pulse Frequency	Max. 500Kpps (Line driver) / Max. 200Kpps (Open collector)											
	Pulse Type	Pulse + Direction, A phase + B phase, CCW pulse + CW pulse											
	Command Source	External pulse train / Internal parameters											
	Smoother Strategy	Low-pass and P-curve filter											
	Electronic Gear	Electronic gear N/M multiple N: 1~32767, M: 1:32767(1/50<N/M<200)											
Speed Control Mode	Torque Limit Operation	Set by parameters											
	Feed Forward Compensation	Set by parameters											
Torque Control Mode	Analog Input Command	Voltage Range		0~±10 V _{cc}									
		Input Resistance		10K Ω									
		Time Constant		2.2 μs									
	Speed Control Range*1	1:5000											
	Command Source	External analog signal / Internal parameters											
Digital Input/Output	Smoother Strategy	Low-pass and S-curve filter											
	Torque Limit Operation	Set by parameters or via Analog input											
	Frequency Response Characteristic	Maximum 450Hz											
	Speed Accuracy *2 (at rated rotation speed)	0.01% or less at load fluctuation 0 to 100% 0.01% or less at power fluctuation ±10% 0.01% or less at ambient temperature fluctuation 0°C to 55 °C (32°F to 131°F)											
	Analog Input Command	Voltage Range		0~±10 V _{cc}									
	Input Resistance		10K Ω										
	Time Constant		2.2 μs										
Protective Functions	Command Source	External analog signal / Internal parameters											
	Smoother Strategy	Low-pass filter											
Communication Interface	Speed Limit Operation	Parameter Setting or via Analog input											
	Analog Monitor Output	Monitor signal can set by parameters (Output voltage range: ±8V) Servo On, Reset, Gain switching, Pulse clear, Zero speed CLAMP, Speed/Torque limit enabled, Emergency stop, Forward / Reverse inhibit limit, Position / Speed mode switching, Speed / Torque mode switching, Torque / Position mode switching, Feed step selection input, Feed step mode input, Auto run input, Electronic gear ratio (Numerator) selection											
Environment	Input	Encoder signal output (A, B, Z Line Driver / Z Open collector)											
	Output	Servo ready, Servo On, At Zero speed, At Speed reached, At Positioning completed, At Torques limit, Servo alarm (Servo fault) activated, Electromagnetic brake control, Homing completed, Output overload warning Servo warning activated, Internal position command completed											
Protective Functions		Overcurrent, Overvoltage, Undervoltage, Motor overheated, Regeneration error, Overload, Overspeed, Abnormal pulse control command, Excessive deviation, Watch dog execution time out, Encoder error, Adjustment error, Emergency stop activated, Reverse/ Forward limit switch error, Memory error, DSP communication error, Serial communication error, Input power phase loss, Serial communication time out, Command write-in error, short circuit protection of U, V, W, and CN1, CN2, CN3 terminals											
Communication Interface		RS-232 / RS-485 / RS-422											
Environment	Installation Site	Indoor location (free from direct sunlight), no corrosive liquid and gas (far away from oil mist, flammable gas, dust)											
	Altitude	Altitude 1000m or lower above sea level											
	Atmospheric pressure	86kPa~106kPa											
	Operating Temperature	0°C to 55 °C (32°F to 131°F) (If operating temperature is above specified range, forced cooling will be required)											
	Storage Temperature	-20°C ~65°C (-4°F to 149°F)											
	Humidity	0~90% (non-condensing)											
	Vibration	9.80665m/s ² (1G), less than 20Hz, 5.88m/s ² (0.6G)20 to 50Hz											
Power System	IP20 TNSystem*3												
Approvals													

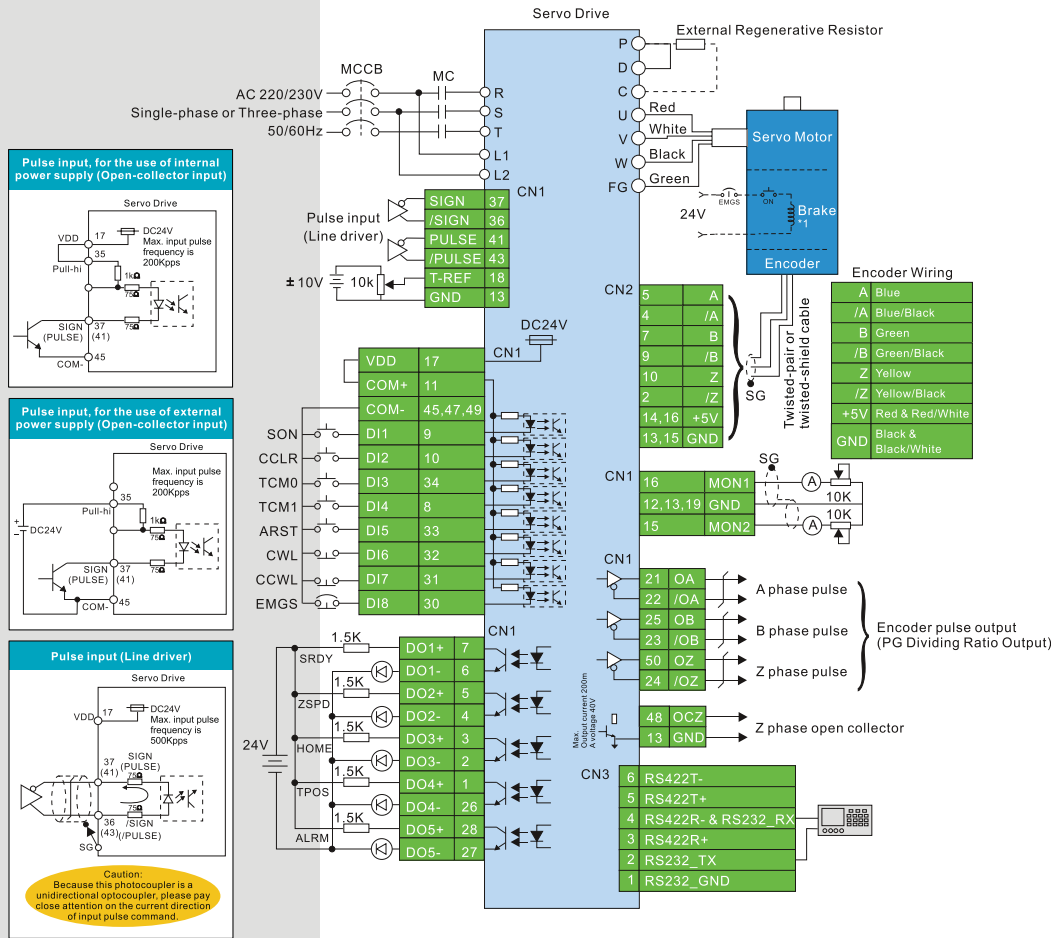
*1 Rated rotation speed: When full load, speed ratio is defined as the minimum speed (the motor will not pause).
*2 When command is rated rotation speed, the speed fluctuation rate is defined as: (Empty load rotation speed / Full load rotation speed) / Rated rotation speed
*3 TN system: A power distribution system having one point directly earthed, the exposed conductive parts of the installation being connected to that point by protective earth conductor.

AC Servo System

ASDA-AB

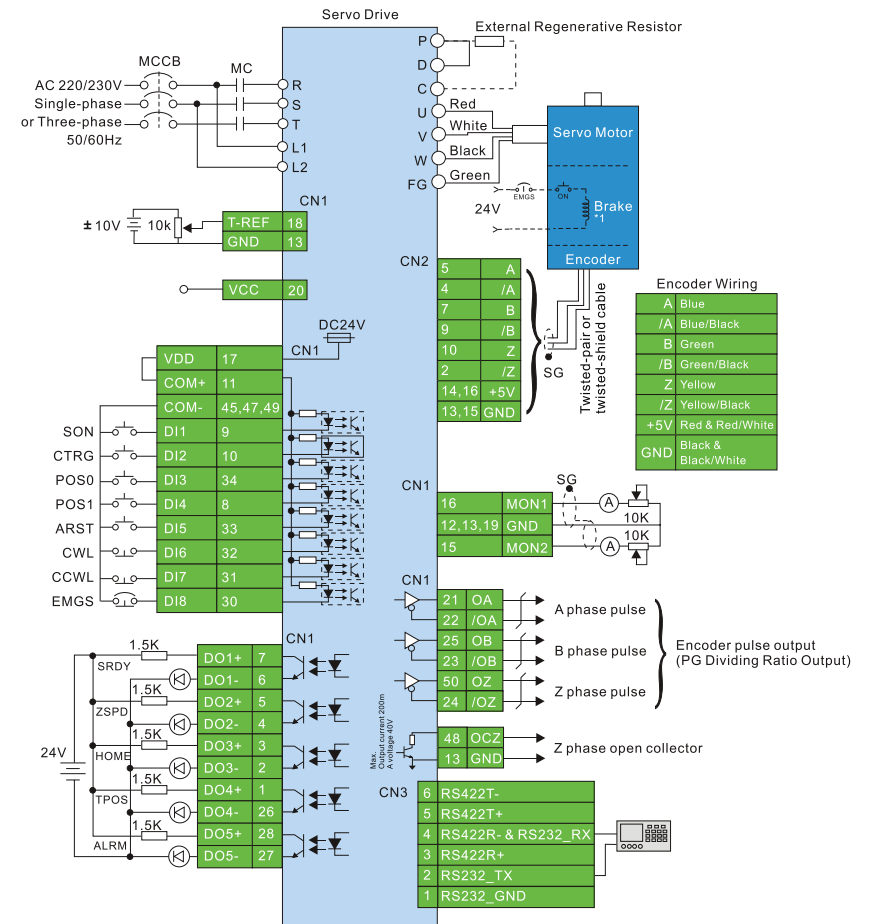
Standard Connections

Position (Pt) Control Mode



NOTE:
*1. The coil of brake has no polarity.

Position (Pr) Control Mode



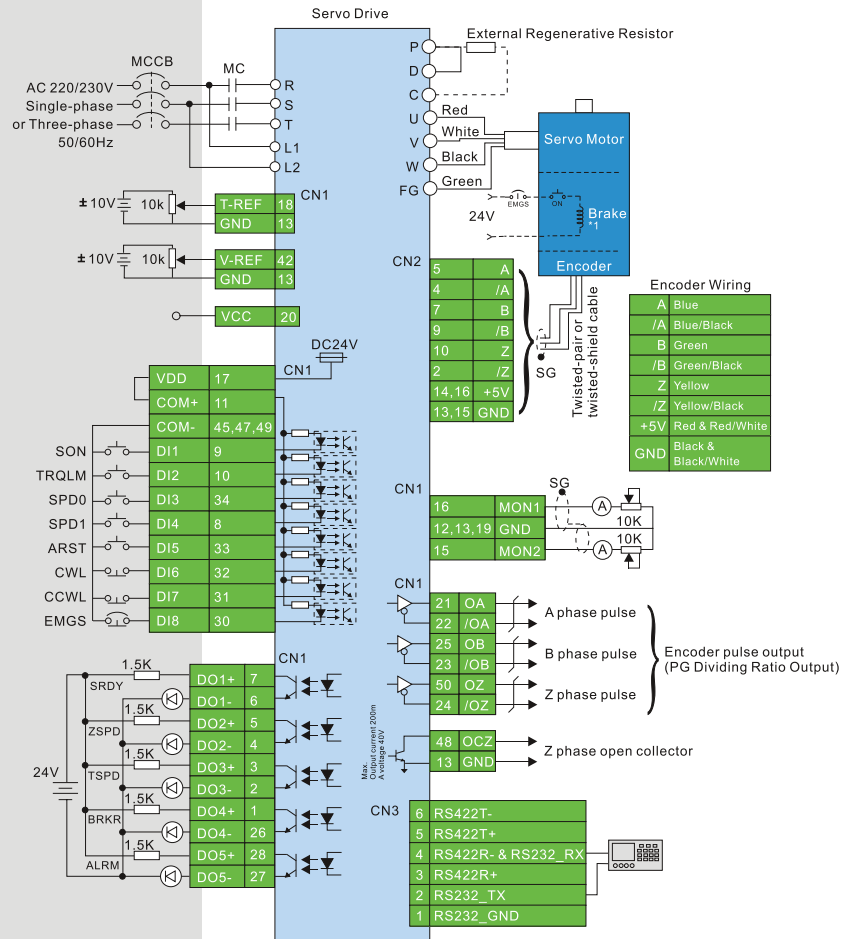
NOTE:
*1. The coil of brake has no polarity.

AC Servo System

ASDA-AB

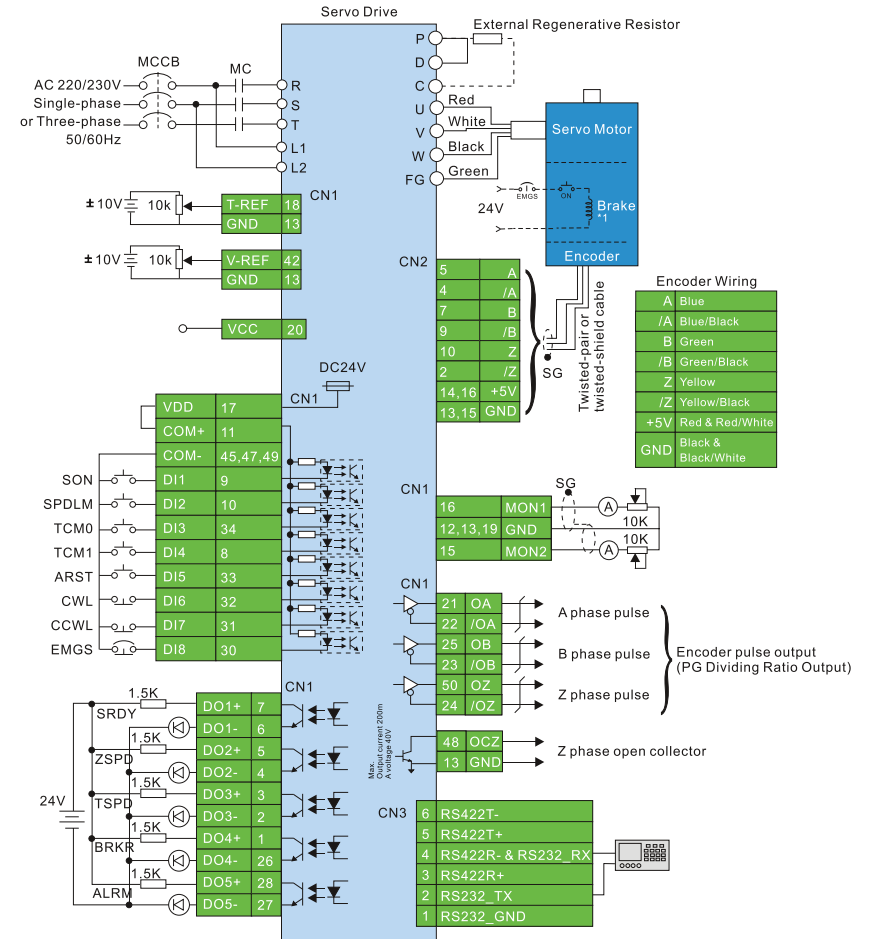
Standard Connections

Speed (S) Control Mode



NOTE:
*1. The coil of brake has no polarity.

Torque (T) Control Mode



NOTE:
*1. The coil of brake has no polarity.

AC Servo System

Specifications of Servo Motor



(ECMA) Low Inertia Servo Motor Specifications

Model: ECMA Series	C304		C306		C308		C310	
	01	02	04	04	07	10	20	
Rated output power (kW)	0.1	0.2	0.4	0.4	0.75	1.0	2.0	
Rated torque (N-m) *1	0.32	0.64	1.27	1.27	2.39	3.18	6.37	
Maximum torque (N-m)	0.96	1.92	3.82	3.82	7.16	9.54	19.11	
Rated speed (r/min)	3000							
Maximum speed (r/min)	5000							
Rated current (A)	0.9	1.55	2.6	2.6	5.1	7.3	12.05	
Maximum current (A)	2.7	4.65	7.8	7.74	15.3	21.9	36.15	
Power rating (kW/s) (without brake)	27.7	22.4	57.6	22.1	48.4	38.1	90.6	
Rotor moment of inertia (x10 ⁻⁴ kg.m ²) (without brake)	0.037	0.177	0.277	0.68	1.13	2.65	4.45	
Mechanical time constant (ms) (without brake)	0.75	0.80	0.53	0.73	0.62	0.74	0.61	
Torque constant-KT (N-m/A)	0.36	0.41	0.49	0.49	0.47	0.44	0.53	
Voltage constant-KE (mV/(r/min))	13.6	16	17.4	18.5	17.2	16.8	19.2	
Armature resistance (Ohm)	9.3	2.79	1.55	0.93	0.42	0.20	0.13	
Armature inductance (mH)	24	12.07	6.71	7.39	3.53	1.81	1.50	
Electrical time constant (ms)	2.58	4.3	4.3	7.96	8.36	9.3	11.4	
Insulation class	Class A (UL), Class B (CE)							
Insulation resistance	100MΩ, DC 500V							
Insulation strength	AC 1500 V, 60 seconds							
Weight (kg) (without brake)	0.5	1.2	1.6	2.1	3.0	4.3	6.2	
Weight (kg) (with brake)	0.8	1.5	2.0	2.9	3.8	4.7	7.2	
Max. radial shaft load (N)	78.4	196	196	245	245	490	490	
Max. thrust shaft load (N)	39.2	68	68	98	98	98	98	
Power rating (kW/s) (with brake)	25.6	21.3	53.8	22.1	48.4	30.4	82	
Rotor moment of inertia (x10 ⁻⁴ kg.m ²) (with brake)	0.04	0.192	0.30	0.73	1.18	3.33	4.95	
Mechanical time constant (ms) (with brake)	0.81	0.85	0.57	0.78	0.65	0.93	0.66	
Brake holding torque [Nt-m (min)]	0.3	1.3	1.3	2.5	2.5	8.0	8.0	
Brake power consumption (at 20°C) [W]	7.2	6.5	6.5	8.2	8.2	18.5	18.5	
Brake release time [ms (Max)]	5	10	10	10	10	10	10	
Brake pull-in time [ms (Max)]	25	70	70	70	70	70	70	
Vibration grade (um)	15							
Operating temperature	0°C to 40°C (32°F to 104°F)							
Storage temperature	-10°C to 80°C (-14°F to 176°F)							
Operating humidity	20% to 90% RH (non-condensing)							
Storage humidity	20% to 90% RH (non-condensing)							
Vibration capacity	2.5G							
IP rating	IP65 (when waterproof connectors are used, or when an oil seal is used to be fitted to the rotating shaft (an oil seal model is used))							
Approvals								

Footnote: *1 Rate torque values are continuous permissible values at 0~40°C ambient temperature when attaching with the sizes of heatsinks listed below:
 ECMA-04: 106/08: 250mm x 250mm x 6mm; ECMA-10: 300mm x 300mm x 12mm
 ECMA-13: 400mm x 400mm x 20mm; ECMA-18: 550mm x 550mm x 30mm
 Material type: Aluminum F40, F60, F80, F100, F130, F180

(ECMA) Medium / High Inertia Servo Motor Specifications

Model: ECMA Series	E313				E318		G313		
	05	10	15	20	20	30	03	06	09
Rated output power (kW)	0.5	1.0	1.5	2.0	2.0	3.0	0.3	0.6	0.9
Rated torque (N-m) *1	2.39	4.77	7.16	9.55	9.55	14.32	2.86	5.73	8.59
Maximum torque (N-m)	7.16	14.32	21.48	28.65	28.65	42.97	8.59	17.19	21.48
Rated speed (r/min)	2000								
Maximum speed (r/min)	3000								
Rated current (A)	2.9	5.6	8.3	11.01	11.22	16.1	2.5	4.8	7.5
Maximum current (A)	8.7	16.8	24.81	33.0	33.66	48.3	7.44	14.49	22.5
Power rating (kW/s) (without brake)	7.0	27.1	45.9	62.5	26.3	37.3	10.0	39.0	66.0
Rotor moment of inertia (x10 ⁻⁴ kg.m ²) (without brake)	8.17	8.41	11.18	14.59	34.68	54.95	8.17	8.41	11.18
Mechanical time constant (ms) (without brake)	1.91	1.51	1.11	0.96	1.62	1.06	1.84	1.40	1.07
Torque constant-KT (N-m/A)	0.83	0.85	0.87	0.87	0.85	0.89	1.15	1.19	1.15
Voltage constant-KE (mV/(r/min))	30.9	31.9	31.8	31.8	31.4	32.0	42.5	43.8	41.6
Armature resistance (Ohm)	0.57	0.47	0.26	0.174	0.119	0.052	1.06	0.82	0.43
Armature inductance (mH)	7.39	5.99	4.01	2.76	2.84	1.38	14.29	11.12	6.97
Electrical time constant (ms)	12.96	12.88	15.31	15.86	23.87	26.39	13.55	13.55	16.06
Insulation class	Class A (UL), Class B (CE)								
Insulation resistance	100MΩ, DC 500V								
Insulation strength	AC 1500 V, 60 seconds								
Weight (kg) (without brake)	6.8	7	7.5	7.8	13.5	18.5	6.8	7	7.5
Weight (kg) (with brake)	8.2	8.4	8.9	9.2	17.5	22.5	8.2	8.4	8.9
Max. radial shaft load (N)	490	490	490	490	1176	1470	490	490	490
Max. thrust shaft load (N)	98	98	98	98	490	490	98	98	98
Power rating (kW/s) (with brake)	6.4	24.9	43.1	59.7	24.1	35.9	9.2	35.9	62.1
Rotor moment of inertia (x10 ⁻⁴ kg.m ²) (with brake)	8.94	9.14	11.90	15.88	37.86	57.06	8.94	9.14	11.9
Mechanical time constant (ms) (with brake)	2.07	1.64	1.19	1.05	1.77	1.10	2.0	1.51	1.13
Brake holding torque [Nt-m (min)]	10.0	10.0	10.0	10.0	25.0	25.0	10.0	10.0	10.0
Brake power consumption (at 20°C) [W]	19.0	19.0	19.0	19.0	20.1	20.1	19.0	19.0	19.0
Brake release time [ms (Max)]	10	10	10	10	10	10	10	10	10
Brake pull-in time [ms (Max)]	70	70	70	70	70	70	70	70	70
Vibration grade (um)	15								
Operating temperature	0°C to 40°C (32°F to 104°F)								
Storage temperature	-10°C to 80°C (-14°F to 176°F)								
Operating humidity	20% to 90% RH (non-condensing)								
Storage humidity	20% to 90% RH (non-condensing)								
Vibration capacity	2.5G								
IP rating	IP65 (when waterproof connectors are used, or when an oil seal is used to be fitted to the rotating shaft (an oil seal model is used))								
Approvals									



Footnote: *1 Rate torque values are continuous permissible values at 0~40°C ambient temperature when attaching with the sizes of heatsinks listed below:
 ECMA-04: 06/08: 250mm x 250mm x 6mm; ECMA-10: 300mm x 300mm x 12mm
 ECMA-13: 400mm x 400mm x 20mm; ECMA-18: 550mm x 550mm x 30mm
 Material type: Aluminum F40, F60, F80, F100, F130, F180

AC Servo System

ASDA-AB

Specifications of Servo Motor

(ASMT□L) Low Inertia Servo Motor Specifications

Model: ASMT□□L250□□		100W	200W	400W	750W	1kW	2kW
		01	02	04	07	10	20
Specifications	Rated output power (kW)	0.1	0.2	0.4	0.75	1.0	2.0
	Rated torque (N-m)	0.318	0.64	1.27	2.39	3.3	6.8
	Maximum torque (N-m)	0.95	1.91	3.82	7.16	9.9	19.2
	Rated speed (r/min)	3000					
	Maximum speed (r/min)	5000					4500
	Rated current (A)	1.1	1.7	3.3	5.0	6.8	13.4
	Maximum current (A)	3.0	4.9	9.3	14.1	18.7	38.4
	Power rating (kW/s)	34.5	23.0	48.7	51.3	42	98
	Rotor moment of inertia (Kg.m ²) (without brake)	0.03E-4	0.18E-4	0.34E-4	1.08E-4	2.6E-4	4.7E-4
	Mechanical time constant (ms)	0.6	0.9	0.7	0.6	1.7	1.2
	Static friction torque (N-m)	0.02	0.04	0.04	0.08	0.49	0.49
	Torque constant-KT (N-m/A)	0.32	0.39	0.4	0.5	0.56	0.54
	Voltage constant-KE (mV/(r/min))	33.7E-3	41.0E-3	41.6E-3	52.2E-3	58.4E-3	57.0E-3
	Armature resistance (Ohm)	20.3	7.5	3.1	1.3	2.052	0.765
	Armature inductance (mH)	32	24	11	6.3	8.4	3.45
	Electrical time constant (ms)	1.6	3.2	3.2	4.8	4.1	4.5
	Insulation class	Class F					
	Insulation resistance	DC 500V, 100M Ω					
Insulation strength	AC 1500 V, 50 Hz, 60 seconds						
Max. radial shaft load (N)	78.4	196	196	343	490	490	
Max. thrust shaft load (N)	39.2	68.6	68.6	98	98	98	
Vibration grade (um)	15						
DC brake power (V)	24□10%						
Rotor moment of inertia (Kg.m ²) (with brake)	0.06E-4	0.28E-4	0.44E-4	1.32E-4	3.1E-4	5.2E-4	
Brake holding torque [Nt-m (min)]	0.32	1.27	1.27	2.55	9.3	9.3	
Brake power consumption (at 20 °C) [W]	5	9	9	9.5	17.9	17.9	
Brake release time [ms (Max)]	20	20	20	50	20	20	
Brake pull-in time [ms (Max)]	40	50	50	80	90	90	
Environment	Operating temperature	0°C to 40°C (32°F to 104°F)					
	Storage temperature	-20°C to 70 °C (-4°F to 158°F)					
	Operating humidity	20% to 90% RH (non-condensing)					
	Storage humidity	20% to 90% RH (non-condensing)					
	Vibration capacity	2.5G					
	IP Rating	IP65 (when waterproof connectors are used, or when an oil seal is used to be fitted to the rotating shaft (an oil seal model is used))					
	Approvals	IEC60034-1, UI1004  					

(ASMT□M) Medium Inertia Servo Motor Specifications

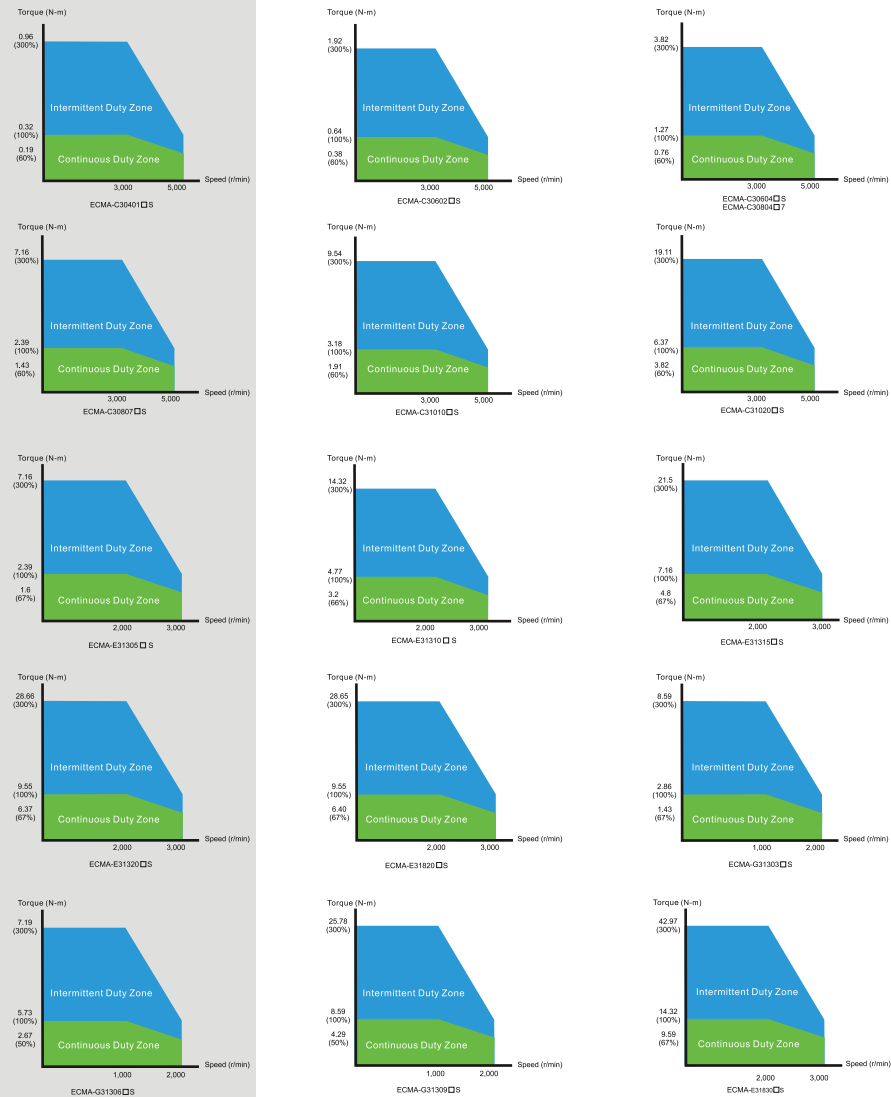
Model: ASMT□□M250□□		1kW	1.5kW	2kW
		10	15	20
Specifications	Rated output power (kW)	1.0	1.5	2.0
	Rated torque (N-m)	4.8	7.16	9.4
	Maximum torque (N-m)	15.7	21.5	23.5
	Rated speed (r/min)	2000		
	Maximum speed (r/min)	3000		
	Rated current (A)	5.6	10.6	13.1
	Maximum current (A)	17.6	30.3	31.4
	Power rating (kW/s)	38.4	58.3	55.6
	Rotor moment of inertia (Kg.m ²) (without brake)	5.98E-4	8.79E-4	15.8E-4
	Mechanical time constant (ms)	1.4	1.3	1.6
	Static friction torque (N-m)	0.29	0.5	0.98
	Torque constant-KT (N-m/A)	0.91	0.73	0.77
	Voltage constant-KE (mV/(r/min))	95.71E-3	76.0E-3	81.1E-3
	Armature resistance (Ohm)	1.98	0.828	0.6
	Armature inductance (mH)	13.2	5.5	6.1
	Electrical time constant (ms)	6.7	6.6	10.1
	Insulation class	Class F		
	Insulation resistance	DC 500V, 100M Ω		
Insulation strength	AC 1500 V, 50 Hz, 60 seconds			
Max. radial shaft load (N)	490	490	784	
Max. thrust shaft load (N)	98	98	396	
Vibration grade (um)	15			
DC brake power (V)	24□10%			
Rotor moment of inertia (Kg.m ²) (with brake)	8.77E-4	11.57E-4	27.8E-4	
Brake holding torque [Nt-m (min)]	7.5	10.5	32	
Brake power consumption (at 20 °C) [W]	20	30	34.7	
Brake release time [ms (Max)]	20	20	50	
Brake pull-in time [ms (Max)]	90	90	170	
Environment	Operating temperature	0°C to 40°C (32°F to 104°F)		
	Storage temperature	-20°C to 70 °C (-4°F to 158°F)		
	Operating humidity	20% to 90% RH (non-condensing)		
	Storage humidity	20% to 90% RH (non-condensing)		
	Vibration capacity	2.5G		
	IP Rating	IP65 (when waterproof connectors are used, or when an oil seal is used to be fitted to the rotating shaft (an oil seal model is used))		
	Approvals	IEC60034-1, UI1004  		

AC Servo System

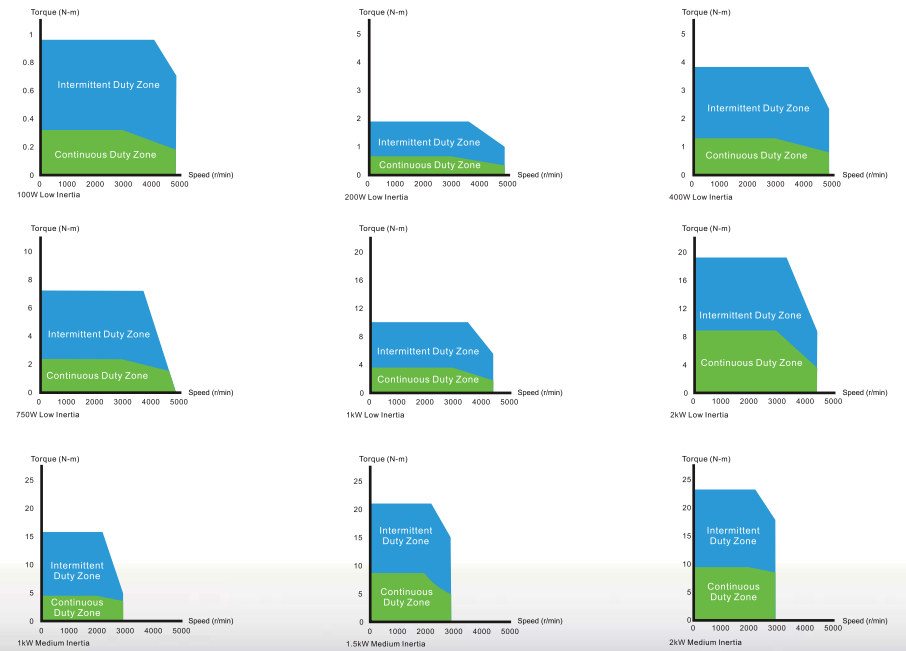
ASDA-AB

Speed-Torque Curves

ECMA Series



ASMT Series



Accessories

(ECMA Series) Power Connector

ASDBCAPW0000



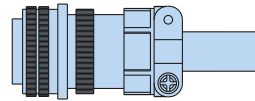
Title	Part No.	Manufacturer
Housing	C4201H00-2*2PA	JOWLE
Terminal	C4201TOP-2	JOWLE

ASDBCAPW0100



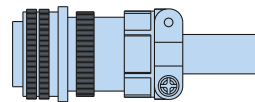
Title	Part No.	Manufacturer
Housing	C4201H00-2*3PA	JOWLE
Terminal	C4201TOP-2	JOWLE

ASD-CAPW1000



MS 3106A-20-18S

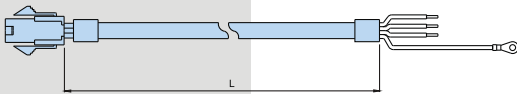
ASD-CAPW2000



MS 3106A-24-11S

(ECMA Series) Power Cable

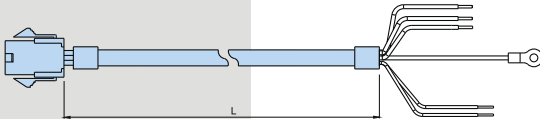
ASD-ABPW0003/0005



Title	Part No.	Manufacturer
Housing	C4201H00-2*2PA	JOWLE
Terminal	C4201TOP-2	JOWLE

Item	Part No.	mm	L	inc
1	ASD-ABPW0003	3000±100	118±4	
2	ASD-ABPW0005	5000±100	197±4	

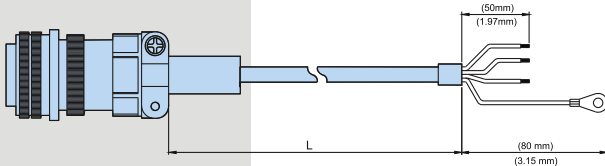
ASD-ABPW0103/0105



Title	Part No.	Manufacturer
Housing	C4201H00-2*3PA	JOWLE
Terminal	C4201TOP-2	JOWLE

Item	Part No.	mm	L	inc
1	ASD-ABPW0103	3000±100	118±4	
2	ASD-ABPW0105	5000±100	197±4	

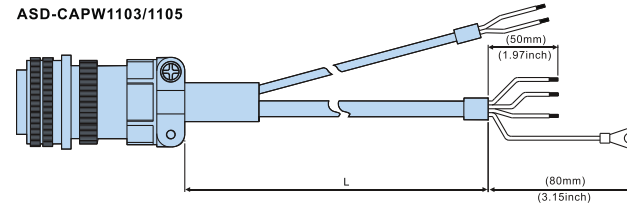
ASD-CAPW1003/1005



Item	Part No.	Straight	mm	L	inc
1	ASD-CAPW1003	3106A-20-18S	3000±100	118±4	
2	ASD-CAPW1005	3106A-20-18S	5000±100	197±4	

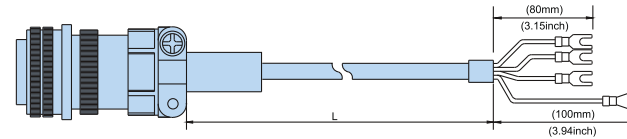
(ECMA Series) Power Cable

ASD-CAPW1103/1105



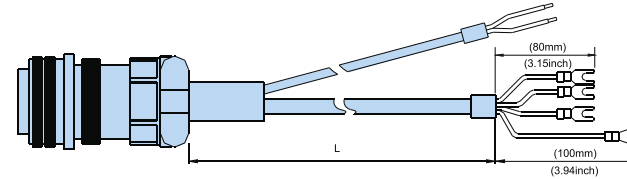
Item	Part No.	Straight	mm	L	inc
1	ASD-CAPW1103	3106A-20-18S	3000±100	118±4	
2	ASD-CAPW1105	3106A-20-18S	5000±100	197±4	

ASD-CAPW1203/1205



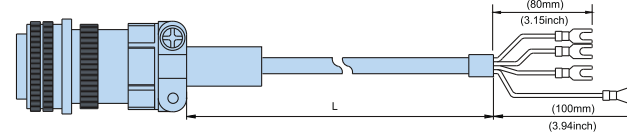
Item	Part No.	Straight	mm	L	inc
1	ASD-CAPW1203	3106A-20-18S	3000±100	118±4	
2	ASD-CAPW1205	3106A-20-18S	5000±100	197±4	

ASD-CAPW1303/1305



Item	Part No.	Straight	mm	L	inc
1	ASD-CAPW1303	3106A-20-18S	3000±100	118±4	
2	ASD-CAPW1305	3106A-20-18S	5000±100	197±4	

ASD-CAPW2203/2205



Item	Part No.	Straight	mm	L	inc
1	ASD-CAPW2203	3106A-24-11S	3000±100	118±4	
2	ASD-CAPW2205	3106A-24-11S	5000±100	197±4	

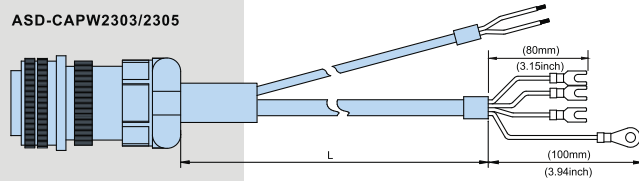
AC Servo System

ASDA-AB

Accessories

(ECMA Series) Power Cable

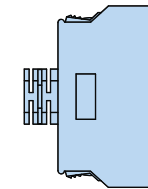
ASD-CAPW2303/2305



Item	Part No.	Straight	L	
			mm	inc
1	ASD-CAPW2303	3106A-24-11S	3000±100	118±4
2	ASD-CAPW2305	3106A-24-11S	5000±100	197±4

(ECMA Series) I/O Signal Connector

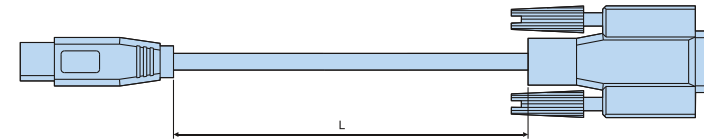
ASD-CNSC0050



Vendor Name	Vendor P/N
3M TAIWAN LTD	10150-3000PE
3M TAIWAN LTD	10350-52A0-008

(ECMA Series) Communication Cable (for PC)

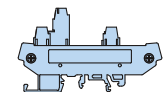
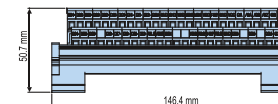
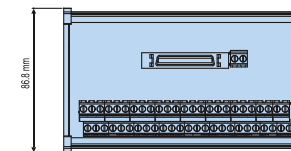
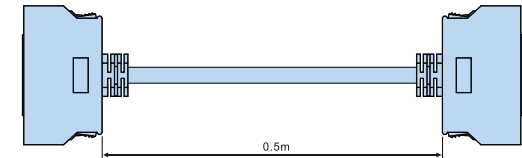
ASD-CARS0003



Item	Part No.	L	
		mm	inc
1	ASD-CARS0003	3000±100	118±4

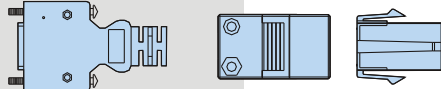
(ECMA Series) Terminal Block

ASD-BM-50A



(ECMA Series) Encoder Connector

ASD-ABEN0000



	Title	Part No.	Manufacturer
MOTOR SIDE	Housing	AMP(1-172161-9)	AMP
	Terminal	AMP(170359-3)	AMP
	CLAMP	DELTA(34703237XX)	DELTA
DRIVE SIDE	PLUG	3M 10120-3000PE	3M
	SHELL	3M 10320-52A0-008	3M

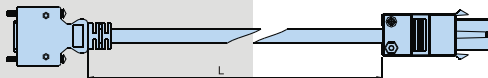
ASD-CAEN1000



	Title	Part No.	Manufacturer
MOTOR SIDE		3106A-20-29S	-----
DRIVE SIDE	PLUG	3M 10120-3000PE	3M
	SHELL	3M 10320-52A0-008	3M

(ECMA Series) Encoder Cable

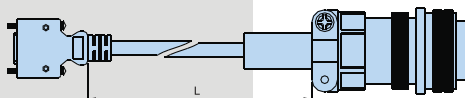
ASD-ABEN0003/0005



	Title	Part No.	Manufacturer
MOTOR SIDE	Housing	AMP(1-172161-9)	AMP
	Terminal	AMP(170359-3)	AMP
	CLAMP	DELTA(34703237XX)	DELTA
DRIVE SIDE	PLUG	3M 10120-3000PE	3M
	SHELL	3M 10320-52A0-008	3M

Item	Part No.	Straight	L	
			mm	inc
1	ASD-ABEN0003	3000±100	118±4	
2	ASD-ABEN0005	5000±100	197±4	

ASD-CAEN1003/1005



	Title	Part No.	Manufacturer
MOTOR SIDE		3106A-20-29S	-----
DRIVE SIDE	PLUG	3M 10120-3000PE	3M
	SHELL	3M 10320-52A0-008	3M

Item	Part No.	Straight	L	
			mm	inc
1	ASD-CAEN1003	3106A-20-29S	3000±100	118±4
2	ASD-CAEN1005	3106A-20-29S	5000±100	197±4

AC Servo System

ASDA-AB

Accessories

(ASMT Series) Power Connector (for 100W~750W motors)

ASD-CAPW000
AMP:350780-1



Item	Part No.	Qty	UNIT
Housing	AMP 350780-1	1	PCE
Terminal	AMP 350537-3	4	PCE

(ASMT Series) Power Connector (for 100W~750W motors with brake)

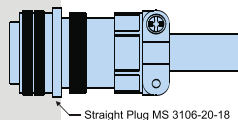
ASD-CAPW0100
AMP:350781-1



Item	Part No.	Qty	UNIT
Housing	AMP 350781-1	1	PCE
UVW Terminal	AMP 350537-3	4	PCE
Brake Terminal	AMP 350570-3	2	PCE

(ASMT Series) Power Connector (for 1kW~2kW low inertia and 1kW~1.5kW medium inertia motors)

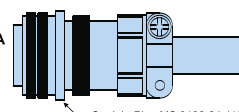
ASD-CAPW1000
CLAMP:MS3057-12A



Straight Plug MS 3106-20-18

(ASMT Series) Power Connector (for 2kW medium inertia motors)

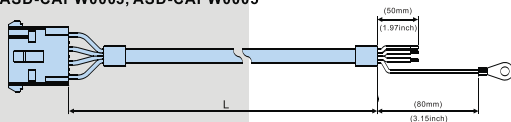
ASD-CAPW2000
CLAMP:MS3057-16A



Straight Plug MS 3106-24-11S

(ASMT Series) Power Cable (for 100W~750W motors)

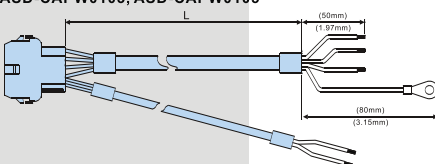
ASD-CAPW0003, ASD-CAPW0005



Item	Part No.	mm	L	inc.
1	ASD-CAPW0003	3000±100	118±4	
2	ASD-CAPW0005	5000±100	197±4	

(ASMT Series) Power Cable (for 100W~750W motors with brake)

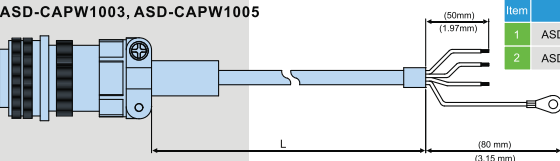
ASD-CAPW0103, ASD-CAPW0105



Item	Part No.	mm	L	inc.
1	ASD-CAPW0103	3000±100	118±4	
2	ASD-CAPW0105	5000±100	197±4	

(ASMT Series) Power Cable (for 1kW~1.5kW motors)

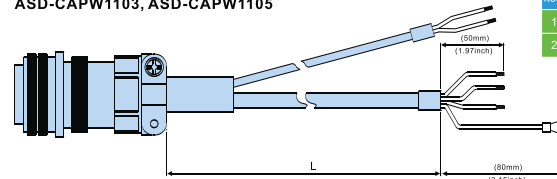
ASD-CAPW1003, ASD-CAPW1005



Item	Part No.	Straight plug	mm	L	inc.
1	ASD-CAPW1003	MS 3106-20-18S	3000±100	118±4	
2	ASD-CAPW1005	MS 3106-20-18S	5000±100	197±4	

(ASMT Series) Power Cable (for 1kW~1.5kW motors with brake)

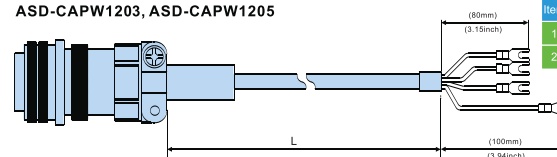
ASD-CAPW1103, ASD-CAPW1105



Item	Part No.	Straight plug	mm	L	inc.
1	ASD-CAPW1103	MS 3106-20-18S	3000±100	118±4	
2	ASD-CAPW1105	MS 3106-20-18S	5000±100	197±4	

(ASMT Series) Power Cable (for 2kW low inertia motors)

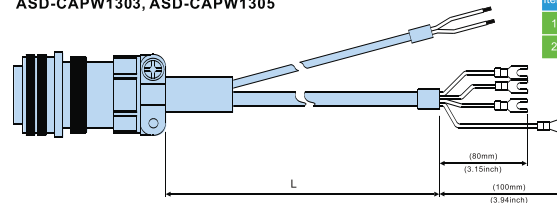
ASD-CAPW1203, ASD-CAPW1205



Item	Part No.	Straight plug	mm	L	inc.
1	ASD-CAPW1203	MS 3106-20-18S	3000±100	118±4	
2	ASD-CAPW1205	MS 3106-20-18S	5000±100	197±4	

(ASMT Series) Power Cable (for 2kW low inertia motors with brake)

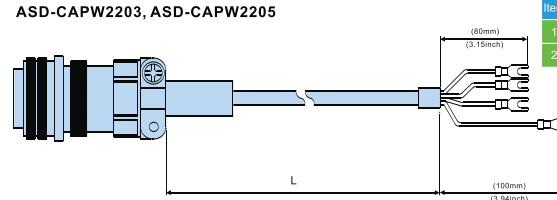
ASD-CAPW1303, ASD-CAPW1305



Item	Part No.	Straight plug	mm	L	inc.
1	ASD-CAPW1303	MS 3106-20-18S	3000±100	118±4	
2	ASD-CAPW1305	MS 3106-20-18S	5000±100	197±4	

(ASMT Series) Power Cable (for 2kW medium inertia motors)

ASD-CAPW2203, ASD-CAPW2205



Item	Part No.	Straight plug	mm	L	inc.
1	ASD-CAPW2203	MS 3106-24-11S	3000±100	118±4	
2	ASD-CAPW2205	MS 3106-24-11S	5000±100	197±4	

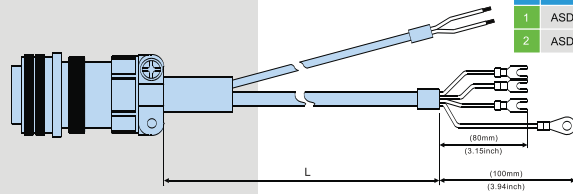
AC Servo System

ASDA-AB

Accessories

(ASMT Series) Power Cable (for 2kW medium inertia motors with brake)

ASD-CAPW2303, ASD-CAPW2305



Item	Part No.	Straight plug	L	
			mm	inc
1	ASD-CAPW2303	MS 3106-24-11S	3000±100	118±4
2	ASD-CAPW2305	MS 3106-24-11S	5000±100	197±4

(ASMT Series) Encoder Connector (for 100W~750W motors)

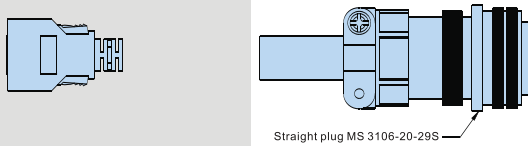
ASD-CAEN0000



Vendor Name	Vendor P/N
3M TAIWAN LTD	10120-3000VE
3M TAIWAN LTD	10320-52A0-008

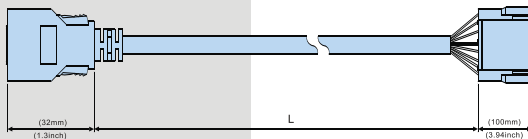
(ASMT Series) Encoder Connector (for 1kW and 1kW above motors)

ASD-CAEN1000



(ASMT Series) Encoder Cable (for 100W~750W motors)

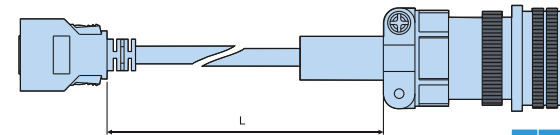
ASD-CAEN0003, ASD-CAEN0005



Item	Part No.	L	
		mm	inc
1	ASD-CAEN0003	3000±100	118±4
2	ASD-CAEN0005	5000±100	197±4

(ASMT Series) Encoder Cable (for 1kW and 1kW above motors)

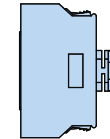
ASD-CAEN1003, ASD-CAEN1005



Item	Part No.	Straight plug	L	
			mm	inc
1	ASD-CAEN1003	MS 3106-20-29S	3000±100	118±4
2	ASD-CAEN1005	MS 3106-20-29S	5000±100	197±4

(ASMT Series) I/O Signal Connector

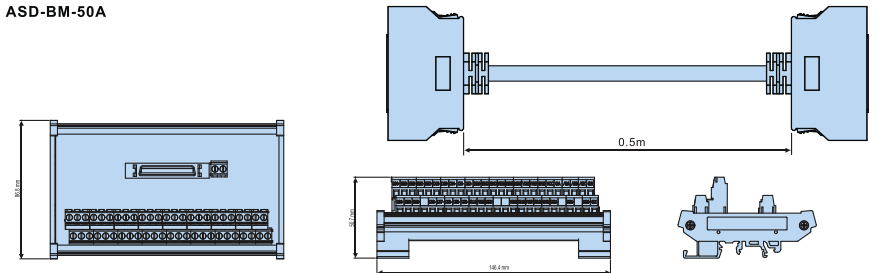
ASD-CN5C0050



Vendor Name	Vendor P/N
3M TAIWAN LTD	1015-3000VE
3M TAIWAN LTD	10350-52A0-008

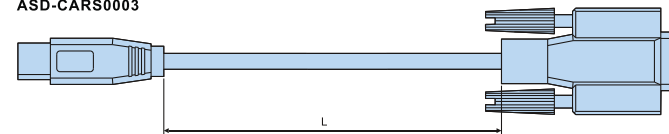
(ASMT Series) Terminal Block

ASD-BM-50A



(ASMT Series) I/O Signal Connector

ASD-CARS0003



Item	Part No.	L	
		mm	inc
1	ASD-CARS0003	3000±100	118±4

AC Servo System

Accessories Cross Reference

ASDA-AB

Regenerative Resistor Specifications

Servo Drive (kW)	Recommended Specifications for Built-in Regenerative Resistor		Recommended Specifications for External Regenerative Resistor	Min. Allowable Resistance (Ohm)
	Resistance (Ohm) (parameter P1-52)	Capacity (Watt) (parameter P1-53)		
0.1	40Ω	60W	60Ω 100W	40Ω
0.2	40Ω	60W	60Ω 200W	40Ω
0.4	40Ω	60W	30Ω 400W	20Ω
0.75	40Ω	60W	30Ω 750W	20Ω
1.0	40Ω	60W	30Ω 1kW	20Ω
1.5	40Ω	60W	30Ω 1kW	20Ω
2.0 / 3.0	20Ω	100W	15Ω 1kW	10Ω

Note:

- When the fault, ALE05 (Regeneration Error) occurs, please increase the regenerative resistor capacity (Watt) or decrease the regenerative resistor resistance (Ohm) of built-in regenerative resistor (the specifications of regenerative resistor should not be lower than the minimum allowable resistance listed in the above table). If the fault cannot be cleared after adjusting the specifications of built-in regenerative resistor, please use external regenerative resistors.
- When combining multiple small-capacity regenerative resistors in parallel to increase the regenerative resistor capacity, make sure that the total resistance value of the regenerative resistors should be lower than the minimum allowable resistance listed in the above table.



Other Accessories (for ASDA-AB series all models)	
Description	Delta Part Number
50-Pin I/O Signal Connector (CN1)	ASD-CNSC0050
Communication Cable (for PC), connecting a ASDA-AB series servo drive and a PC	ASD-CARS0003
Terminal Block	ASD-BM-50A

100 W Servo Drive and 100W Low Inertia Servo Motor (ECMA Series)

Servo Drive	ASD-A0121-AB	
Low Inertia Servo Motor	ECMA-C30401□S	
Cable	Without Brake	
	3M	5M
	Motor Power Cable ASD-ABPW0003	Motor Power Cable ASD-ABPW0005
	Encoder Cable ASD-ABEN0003	Encoder Cable ASD-ABEN0005
Connector	Power Connector ASDBCAPW0000	
	Encoder Connector ASD-ABEN0000	

200W Servo Drive and 200W Low Inertia Servo Motor (ECMA Series)

Servo Drive	ASD-A0221-AB			
Low Inertia Servo Motor	ECMA-C30602□S			
Cable	Without Brake		With Brake	
	3M	5M	3M	5M
	Motor Power Cable ASD-ABPW0003	Motor Power Cable ASD-ABPW0005	Motor Power Cable ASD-ABPW0103	Motor Power Cable ASD-ABPW0105
	Encoder Cable ASD-ABEN0003	Encoder Cable ASD-ABEN0005	Encoder Cable ASD-ABEN0003	Encoder Cable ASD-ABEN0005
Connector	Power Connector ASDBCAPW0000		Power Connector ASDBCAPW0100	
	Encoder Connector ASD-ABEN0000			

400W Servo Drive and 400W Low Inertia Servo Motor (ECMA Series)

Servo Drive	ASD-A0421-AB			
Low Inertia Servo Motor	ECMA-C30604□S ECMA-C30804□7			
Cable	Without Brake		With Brake	
	3M	5M	3M	5M
	Motor Power Cable ASD-ABPW0003	Motor Power Cable ASD-ABPW0005	Motor Power Cable ASD-ABPW0103	Motor Power Cable ASD-ABPW0105
	Encoder Cable ASD-ABEN0003	Encoder Cable ASD-ABEN0005	Encoder Cable ASD-ABEN0003	Encoder Cable ASD-ABEN0005
Connector	Power Connector ASDBCAPW0000		Power Connector ASDBCAPW0100	
	Encoder Connector ASD-ABEN0000			

AC Servo System

Accessories Cross Reference

ASDA-AB

400W Servo Drive and 500W Medium Inertia Servo Motor (ECMA Series)

Servo Drive	ASD-A0421-AB			
Medium Inertia Servo Motor	ECMA-E31305□S			
Cable	Without Brake		With Brake	
	3M	5M	3M	5M
	Motor Power Cable ASD-CAPW1003	Motor Power Cable ASD-CAPW1005	Motor Power Cable ASD-CAPW1103	Motor Power Cable ASD-CAPW1105
	Encoder Cable ASD-CAEN1003	Encoder Cable ASD-CAEN1005	Encoder Cable ASD-CAEN1003	Encoder Cable ASD-CAEN1005
Connector	Power Connector ASD-CAPW1000			
	Encoder Connector ASD-CAEN1000			

750W Servo Drive and 600W High Inertia Servo Motor (ECMA Series)

Servo Drive	ASD-A0721-AB			
High Inertia Servo Motor	ECMA-G31306□S			
Cable	Without Brake		With Brake	
	3M	5M	3M	5M
	Motor Power Cable ASD-CAPW1003	Motor Power Cable ASD-CAPW1005	Motor Power Cable ASD-CAPW1103	Motor Power Cable ASD-CAPW1105
	Encoder Cable ASD-CAEN1003	Encoder Cable ASD-CAEN1005	Encoder Cable ASD-CAEN1003	Encoder Cable ASD-CAEN1005
Connector	Power Connector ASD-CAPW1000			
	Encoder Connector ASD-CAEN1000			

400W Servo Drive and 300W High Inertia Servo Motor (ECMA Series)

Servo Drive	ASD-A0421-AB			
High Inertia Servo Motor	ECMA-G31303□S			
Cable	Without Brake		With Brake	
	3M	5M	3M	5M
	Motor Power Cable ASD-CAPW1003	Motor Power Cable ASD-CAPW1005	Motor Power Cable ASD-CAPW1103	Motor Power Cable ASD-CAPW1105
	Encoder Cable ASD-CAEN1003	Encoder Cable ASD-CAEN1005	Encoder Cable ASD-CAEN1003	Encoder Cable ASD-CAEN1005
Connector	Power Connector ASD-CAPW1000			
	Encoder Connector ASD-CAEN1000			

1kW Servo Drive and 1kW Low Inertia Servo Motor (ECMA Series)

Servo Drive	ASD-A1021-AB			
Low Inertia Servo Motor	ECMA-C31010□S			
Cable	Without Brake		With Brake	
	3M	5M	3M	5M
	Motor Power Cable ASD-CAPW1003	Motor Power Cable ASD-CAPW1005	Motor Power Cable ASD-CAPW1103	Motor Power Cable ASD-CAPW1105
	Encoder Cable ASD-CAEN1003	Encoder Cable ASD-CAEN1005	Encoder Cable ASD-CAEN1003	Encoder Cable ASD-CAEN1005
Connector	Power Connector ASD-CAPW1000			
	Encoder Connector ASD-CAEN1000			

750W Servo Drive and 750W Low Inertia Servo Motor (ECMA Series)

Servo Drive	ASD-A0721-AB			
Low Inertia Servo Motor	ECMA-C30807□S			
Cable	Without Brake		With Brake	
	3M	5M	3M	5M
	Motor Power Cable ASD-ABPW0003	Motor Power Cable ASD-ABPW0005	Motor Power Cable ASD-ABPW0103	Motor Power Cable ASD-ABPW0105
	Encoder Cable ASD-ABEN0003	Encoder Cable ASD-ABEN0005	Encoder Cable ASD-ABEN0003	Encoder Cable ASD-ABEN0005
Connector	Power Connector ASDBCAPW0000		Power Connector ASDBCAPW0100	
	Encoder Connector ASD-ABEN0000			

1kW Servo Drive and 1kW Medium Inertia Servo Motor (ECMA Series)

Servo Drive	ASD-A1021-AB			
Medium Inertia Servo Motor	ECMA-E31310□S			
Cable	Without Brake		With Brake	
	3M	5M	3M	5M
	Motor Power Cable ASD-CAPW1003	Motor Power Cable ASD-CAPW1005	Motor Power Cable ASD-CAPW1103	Motor Power Cable ASD-CAPW1105
	Encoder Cable ASD-CAEN1003	Encoder Cable ASD-CAEN1005	Encoder Cable ASD-CAEN1003	Encoder Cable ASD-CAEN1005
Connector	Power Connector ASD-CAPW1000			
	Encoder Connector ASD-CAEN1000			

AC Servo System

Accessories Cross Reference

ASDA-AB

1kW Servo Drive and 900W High Inertia Servo Motor (ECMA Series)

Servo Drive	ASD-A1021-AB			
High Inertia Servo Motor	ECMA-G31309□S			
Cable	Without Brake		With Brake	
	3M	5M	3M	5M
	Motor Power Cable ASD-CAPW1003	Motor Power Cable ASD-CAPW1005	Motor Power Cable ASD-CAPW1103	Motor Power Cable ASD-CAPW1105
Encoder Cable ASD-CAEN1003	Encoder Cable ASD-CAEN1005	Encoder Cable ASD-CAEN1003	Encoder Cable ASD-CAEN1005	
Connector	Power Connector ASD-CAPW1000			
	Encoder Connector ASD-CAEN1000			

1.5kW Servo Drive and 1.5kW Medium Inertia Servo Motor (ECMA Series)

Servo Drive	ASD-A1521-AB			
Medium Inertia Servo Motor	ECMA-E31315□S			
Cable	Without Brake		With Brake	
	3M	5M	3M	5M
	Motor Power Cable ASD-CAPW1003	Motor Power Cable ASD-CAPW1005	Motor Power Cable ASD-CAPW1103	Motor Power Cable ASD-CAPW1105
Encoder Cable ASD-CAEN1003	Encoder Cable ASD-CAEN1005	Encoder Cable ASD-CAEN1003	Encoder Cable ASD-CAEN1005	
Connector	Power Connector ASD-CAPW1000			
	Encoder Connector ASD-CAEN1000			

2kW Servo Drive and 2kW Low Inertia Servo Motor (ECMA Series)

Servo Drive	ASD-A2023-AB			
Low Inertia Servo Motor	ECMA-C31020□S			
Cable	Without Brake		With Brake	
	3M	5M	3M	5M
	Motor Power Cable ASD-CAPW1203	Motor Power Cable ASD-CAPW1205	Motor Power Cable ASD-CAPW1303	Motor Power Cable ASD-CAPW1305
Encoder Cable ASD-CAEN1003	Encoder Cable ASD-CAEN1005	Encoder Cable ASD-CAEN1003	Encoder Cable ASD-CAEN1005	
Connector	Power Connector ASD-CAPW1000			
	Encoder Connector ASD-CAEN1000			

2kW Servo Drive and 2kW Medium Inertia Servo Motor (ECMA Series)

Servo Drive	ASD-A2023-AB			
Medium Inertia Servo Motor	ECMA-E31320□S			
Cable	Without Brake		With Brake	
	3M	5M	3M	5M
	Motor Power Cable ASD-CAPW1203	Motor Power Cable ASD-CAPW1205	Motor Power Cable ASD-CAPW1303	Motor Power Cable ASD-CAPW1305
Encoder Cable ASD-CAEN1003	Encoder Cable ASD-CAEN1005	Encoder Cable ASD-CAEN1003	Encoder Cable ASD-CAEN1005	
Connector	Power Connector ASD-CAPW1000			
	Encoder Connector ASD-CAEN1000			

2kW Servo Drive and 2kW Medium Inertia Servo Motor (ECMA Series)

Servo Drive	ASD-A2023-AB			
Medium Inertia Servo Motor	ECMA-E31820□S			
Cable	Without Brake		With Brake	
	3M	5M	3M	5M
	Motor Power Cable ASD-CAPW2203	Motor Power Cable ASD-CAPW2205	Motor Power Cable ASD-CAPW2303	Motor Power Cable ASD-CAPW2305
Encoder Cable ASD-CAEN1003	Encoder Cable ASD-CAEN1005	Encoder Cable ASD-CAEN1003	Encoder Cable ASD-CAEN1005	
Connector	Power Connector ASD-CAPW2000			
	Encoder Connector ASD-CAEN1000			

3kW Servo Drive and 3kW Medium Inertia Servo Motor (ECMA Series)

Servo Drive	ASD-A3023-AB			
Medium Inertia Servo Motor	ECMA-E31830□S			
Cable	Without Brake		With Brake	
	3M	5M	3M	5M
	Motor Power Cable ASD-CAPW2203	Motor Power Cable ASD-CAPW2205	Motor Power Cable ASD-CAPW2303	Motor Power Cable ASD-CAPW2305
Encoder Cable ASD-CAEN1003	Encoder Cable ASD-CAEN1005	Encoder Cable ASD-CAEN1003	Encoder Cable ASD-CAEN1005	
Connector	Power Connector ASD-CAPW2000			
	Encoder Connector ASD-CAEN1000			

AC Servo System

Accessories Cross Reference

ASDA-AB

100W Servo Drive and 100W Low Inertia Servo Motor (ASMT Series)

Servo Drive	ASD-A0121-AB			
Low Inertia Servo Motor	ASMT-01L250A□		ASMT-01L250B□	
Cable	Without Brake		With Brake	
	3M	5M	3M	5M
	Motor Power Cable ASD-CAPW0003	Motor Power Cable ASD-CAPW0005	Motor Power Cable ASD-CAPW0103	Motor Power Cable ASD-CAPW0105
	Encoder Cable ASD-CAEN0003	Encoder Cable ASD-CAEN0005	Encoder Cable ASD-CAEN0003	Encoder Cable ASD-CAEN0005
Connector	Power Connector ASD-CAPW0000		Power Connector ASD-CAPW0100	
	Encoder Connector ASD-CAEN0000			

750W Servo Drive and 750W Low Inertia Servo Motor (ASMT Series)

Servo Drive	ASD-A0721-AB			
Low Inertia Servo Motor	ASMT-07L250A□		ASMT-07L250B□	
Cable	Without Brake		With Brake	
	3M	5M	3M	5M
	Motor Power Cable ASD-CAPW0003	Motor Power Cable ASD-CAPW0005	Motor Power Cable ASD-CAPW0103	Motor Power Cable ASD-CAPW0105
	Encoder Cable ASD-CAEN0003	Encoder Cable ASD-CAEN0005	Encoder Cable ASD-CAEN0003	Encoder Cable ASD-CAEN0005
Connector	Power Connector ASD-CAPW0000		Power Connector ASD-CAPW0100	
	Encoder Connector ASD-CAEN0000			

200W Servo Drive and 200W Low Inertia Servo Motor (ASMT Series)

Servo Drive	ASD-A0221-AB			
Low Inertia Servo Motor	ASMT-02L250A□		ASMT-02L250B□	
Cable	Without Brake		With Brake	
	3M	5M	3M	5M
	Motor Power Cable ASD-CAPW0003	Motor Power Cable ASD-CAPW0005	Motor Power Cable ASD-CAPW0103	Motor Power Cable ASD-CAPW0105
	Encoder Cable ASD-CAEN0003	Encoder Cable ASD-CAEN0005	Encoder Cable ASD-CAEN0003	Encoder Cable ASD-CAEN0005
Connector	Power Connector ASD-CAPW0000		Power Connector ASD-CAPW0100	
	Encoder Connector ASD-CAEN0000			

1kW Servo Drive and 1kW Low Inertia Servo Motor (ASMT Series)

Servo Drive	ASD-A1021-AB			
Low Inertia Servo Motor	ASMT-10L250A□		ASMT-10L250B□	
Cable	Without Brake		With Brake	
	3M	5M	3M	5M
	Motor Power Cable ASD-CAPW1003	Motor Power Cable ASD-CAPW1005	Motor Power Cable ASD-CAPW1103	Motor Power Cable ASD-CAPW1105
	Encoder Cable ASD-CAEN1003	Encoder Cable ASD-CAEN1005	Encoder Cable ASD-CAEN1003	Encoder Cable ASD-CAEN1005
Connector	Power Connector ASD-CAPW1000		Power Connector ASD-CAPW1100	
	Encoder Connector ASD-CAEN1000			

400W Servo Drive and 400W Low Inertia Servo Motor (ASMT Series)

Servo Drive	ASD-A0421-AB			
Low Inertia Servo Motor	ASMT-04L250A□		ASMT-04L250B□	
Cable	Without Brake		With Brake	
	3M	5M	3M	5M
	Motor Power Cable ASD-CAPW0003	Motor Power Cable ASD-CAPW0005	Motor Power Cable ASD-ABPW0103	Motor Power Cable ASD-ABPW0105
	Encoder Cable ASD-CAEN0003	Encoder Cable ASD-CAEN0005	Encoder Cable ASD-ABEN0003	Encoder Cable ASD-ABEN0005
Connector	Power Connector ASD-CAPW0000		Power Connector ASD-CAPW0100	
	Encoder Connector ASD-CAEN0000			

1kW Servo Drive and 1kW Medium Inertia Servo Motor (ASMT Series)

Servo Drive	ASD-A1021-AB			
Medium Inertia Servo Motor	ASMT-10M250A□		ASMT-10M250B□	
Cable	Without Brake		With Brake	
	3M	5M	3M	5M
	Motor Power Cable ASD-CAPW1003	Motor Power Cable ASD-CAPW1005	Motor Power Cable ASD-CAPW1103	Motor Power Cable ASD-CAPW1105
	Encoder Cable ASD-CAEN1003	Encoder Cable ASD-CAEN1005	Encoder Cable ASD-CAEN1003	Encoder Cable ASD-CAEN1005
Connector	Power Connector ASD-CAPW1000		Power Connector ASD-CAPW1100	
	Encoder Connector ASD-CAEN1000			

AC Servo System

Accessories Cross Reference

Dimensions of Servo Motor

1.5kW Servo Drive and 1.5kW Medium Inertia Servo Motor (ASMT Series)

Servo Drive	ASD-A1521-AB			
Medium Inertia Servo Motor	ASMT-15M250A□		ASMT-15M250B□	
	Without Brake		With Brake	
	3M	5M	3M	5M
Cable	Motor Power Cable ASD-CAPW1003	Motor Power Cable ASD-CAPW1005	Motor Power Cable ASD-CAPW1103	Motor Power Cable ASD-CAPW1105
	Encoder Cable ASD-CAEN1003	Encoder Cable ASD-CAEN1005	Encoder Cable ASD-CAEN1003	Encoder Cable ASD-CAEN1005
Connector	Power Connector ASD-CAPW1000		Power Connector ASD-CAPW1100	
	Encoder Connector ASD-CAEN1000			

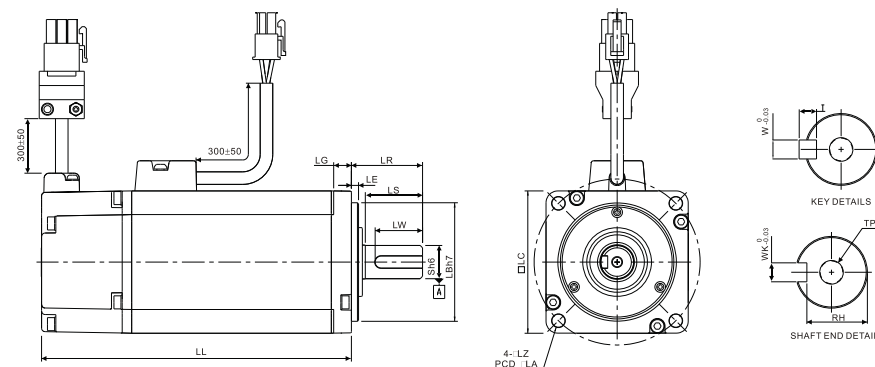
2kW Servo Drive and 2kW Low Inertia Servo Motor (ASMT Series)

Servo Drive	ASD-A2023-AB			
Low Inertia Servo Motor	ASMT-20L250A□		ASMT-20L250B□	
	Without Brake		With Brake	
	3M	5M	3M	5M
Cable	Motor Power Cable ASD-CAPW1203	Motor Power Cable ASD-CAPW1205	Motor Power Cable ASD-CAPW1303	Motor Power Cable ASD-CAPW1305
	Encoder Cable ASD-CAEN1003	Encoder Cable ASD-CAEN1005	Encoder Cable ASD-CAEN1003	Encoder Cable ASD-CAEN1005
Connector	Power Connector ASD-CAPW1000		Power Connector ASD-CAPW1100	
	Encoder Connector ASD-CAEN1000			

2kW Servo Drive and 2kW Medium Inertia Servo Motor (ASMT Series)

Servo Drive	ASD-A2023-AB			
Medium Inertia Servo Motor	ASMT-20M250A□		ASMT-20M250B□	
	Without Brake		With Brake	
	3M	5M	3M	5M
Cable	Motor Power Cable ASD-CAPW2203	Motor Power Cable ASD-CAPW2205	Motor Power Cable ASD-ABPW2303	Motor Power Cable ASD-ABPW2305
	Encoder Cable ASD-CAEN1003	Encoder Cable ASD-CAEN1005	Encoder Cable ASD-ABEN1003	Encoder Cable ASD-ABEN1005
Connector	Power Connector ASD-CAPW2000			
	Encoder Connector ASD-CAEN1000			

ECMA Series Motor Frame Size: 80mm and below Models (Units: mm)



Model	C30401□S	C30602□S	C30604□S	C30804□7	C30807□S
LC	40	60	60	80	80
LZ	4.5	5.5	5.5	6.6	6.6
LA	46	70	70	90	90
S	8 ^(+0, -0.009)	14 ^(+0, -0.011)	14 ^(+0, -0.011)	14 ^(+0, -0.011)	19 ^(+0, -0.013)
LB	30 ^(+0, -0.021)	50 ^(+0, -0.025)	50 ^(+0, -0.025)	70 ^(+0, -0.030)	70 ^(+0, -0.030)
LL (w/o brake)	100.6	105.5	130.7	112.3	138.3
LL (with brake)	136.6	141.6	166.8	152.8	178
LS (w/o oilseal)	20	27	27	27	32
LS (with oilseal)	20	24	24	24.5	29.5
LR	25	30	30	30	35
LE	2.5	3	3	3	3
LG	5	7.5	7.5	8	8
LW	16	20	20	20	25
RH	6.2	11	11	11	15.5
WK	3	5	5	5	6
W	3	5	5	5	6
T	3	5	5	5	6
TP	M3 Depth 8	M4 Depth 15	M4 Depth 15	M4 Depth 15	M6 Depth 20

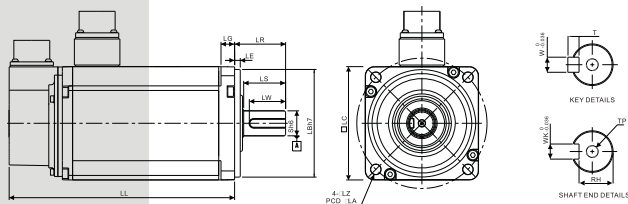
NOTE
 1) Dimensions are in millimeters.
 2) Dimensions and weights of the servo motor may be revised without prior notice.
 3) The boxes (□) in the model names are for optional configurations. (Please refer to section 1.2 for model explanation.)

AC Servo System

Dimensions of Servo Motor

ASDA-AB

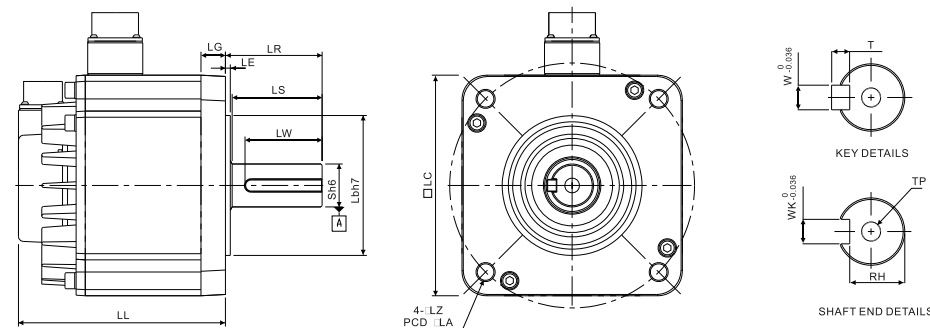
ECMA Series Motor Frame Size: 100mm ~ 130mm (Units: mm)



Model	G31303□S	E31305□S	G31306□S	G31309□S	C31010□S
LC	130	130	130	130	100
LZ	9	9	9	9	9
LA	145	145	145	145	115
S	22(+0/-0.013)	22(+0/-0.013)	22(+0/-0.013)	22(+0/-0.013)	22(+0/-0.013)
LB	110(+0/-0.035)	110(+0/-0.035)	110(+0/-0.035)	110(+0/-0.035)	95(+0/-0.035)
LL (without brake)	147.5	147.5	147.5	163.5	153.3
LL (with brake)	183.5	183.5	183.5	198	192.5
LS	47	47	47	47	37
LR	55	55	55	55	45
LE	6	6	6	6	5
LG	11.5	11.5	11.5	11.5	12
LW	36	36	36	36	32
RH	18	18	18	18	18
WK	8	8	8	8	8
W	8	8	8	8	8
T	7	7	7	7	7
TP	M6 Depth 20	M6 Depth 20	M6 Depth 20	M6 Depth 20	M6 Depth 20

Model	E31310□S	E31315□S	C31020□S	E31320□S
LC	130	130	100	130
LZ	9	9	9	9
LA	145	145	115	145
S	22(+0/-0.013)	22(+0/-0.013)	22(+0/-0.013)	22(+0/-0.013)
LB	110(+0/-0.035)	110(+0/-0.035)	95(+0/-0.035)	110(+0/-0.035)
LL (without brake)	147.5	167.5	199	187.5
LL (with brake)	183.5	202	226	216
LS	47	47	37	47
LR	55	55	45	55
LE	6	6	5	6
LG	11.5	11.5	12	11.5
LW	36	36	32	36
RH	18	18	18	18
WK	8	8	8	8
W	8	8	8	8
T	7	7	7	7
TP	M6 Depth 20	M6 Depth 20	M6 Depth 20	M6 Depth 20

ECMA Series Motor Frame Size: 180mm (Units: mm)



Model	E31820□S	E31830□S
LC	180	180
LZ	13.5	13.5
LA	200	200
S	35(+0/-0.016)	35(+0/-0.016)
LB	114.3(+0/-0.035)	114.3(+0/-0.035)
F (Without Brake)	169	202.1
F (With Brake)	203.1	235.3
LS	73	73
LR	79	79
LE	4	4
LG	20	20
LW	63	63
RH	30	30
WK	10	10
W	10	10
T	8	8
TP	M12 Depth 25	M12 Depth 25

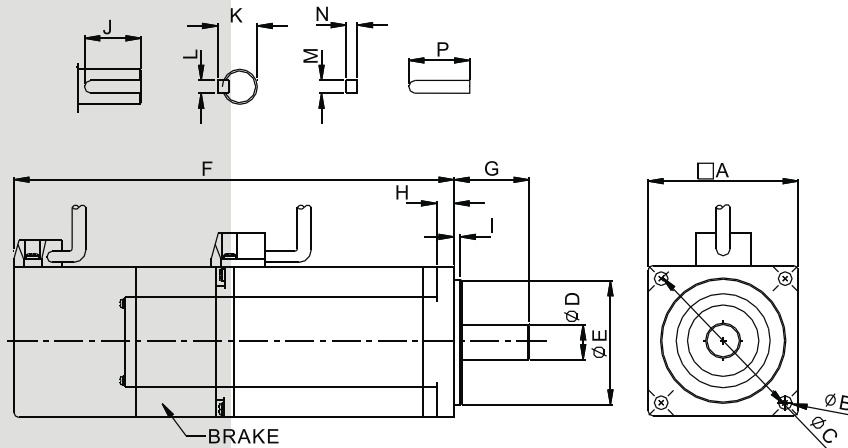
NOTE 1) Dimensions are in millimeters.
2) Dimensions and weights of the servo motor may be revised without prior notice.
3) The boxes (□) in the model names are for optional configurations. (Please refer to section 1.2 for model explanation.)

AC Servo System

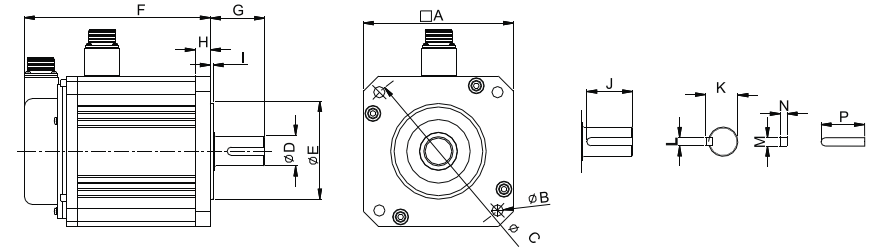
ASDA-AB

Dimensions of Servo Motor

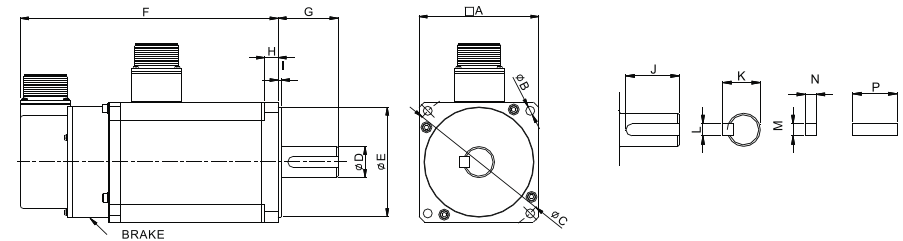
ASMT Series 100W to 750W Low Inertia Servo Motors (Units: mm)



ASMT Series 1kW to 2kW Medium Inertia Servo Motors (Units: mm)



ASMT Series 1kW to 2kW Low Inertia Servo Motors (Units: mm)



Model	ASMT01L250□□	ASMT02L250□□	ASMT04L250□□	ASMT07L250□□
Power (W)	100	200	400	750
A	40	60	60	80
B	4.5	5.5	5.5	6.6
C	46	70	70	90
D	8h6 +0.0 -0.009	14h6 +0.0 -0.011	14h6 +0.0 -0.011	19h6 +0.0 -0.013
E	30h7 +0.0 -0.021	50h7 +0.0 -0.025	50h7 +0.0 -0.025	70h7 +0.0 -0.030
F (Without Brake)	100.1	102.4	124.4	135
F (With Brake)	135.7	137	159	171.6
G	25	30	30	35
H	5	6	6	8
I	2.5	3	3	3
J	16	20	20	25
K	9.2 +0.0 -0.2	16 +0.0 -0.2	16 +0.0 -0.2	21.5 +0.0 -0.2
L	3h9 -0.006 -0.031	5h9 -0.012 -0.042	5h9 -0.012 -0.042	6h9 -0.012 -0.042
M	3 +0.0 -0.025	5 +0.0 -0.030	5 +0.0 -0.030	6 +0.0 -0.030
N	3 +0.0 -0.025	5 +0.0 -0.030	5 +0.0 -0.030	6 +0.0 -0.030
P	16 +0.0 -0.18	20 +0.0 -0.21	20 +0.0 -0.21	25 +0.0 -0.21
Weight (Without Brake)	0.5(1.1)	0.9(1.98)	1.3(2.87)	2.5(5.5)
Weight (With Brake)	0.7(1.54)	1.4(3.09)	1.8(3.97)	3.4(7.5)

Model	ASMT10M250□□	ASMT15M250□□	ASMT20M250□□	ASMT10L250□□	ASMT20L250□□
Power (W)	1000	1500	2000	1000	2000
A	130	130	180	100	100
B	9	9	13.5	9	9
C	145 +0.2 -0.2	145 +0.2 -0.2	200 +0.2 -0.2	115 +0.2 -0.2	115 +0.2 -0.2
D	22h6 +0.0 -0.013	22h6 +0.0 -0.013	35h6 +0.0 -0.016	22h6 +0.0 -0.013	22h6 +0.0 -0.013
E	110h7 +0.0 -0.035	110h7 +0.0 -0.035	114.3h7 +0.0 -0.035	95h7 +0.0 -0.035	95h7 +0.0 -0.035
F (Without Brake)	143	158	164	158	194
F (With Brake)	181	196	213	190	226
G	55	55	75	45	55
H	15	15	20	17	17
I	4	4	4	7	7
J	44	44	65	34	44
K	25 +0.0 -0.1	25 +0.0 -0.1	38 +0.0 -0.2	25 +0.0 -0.2	25 +0.0 -0.2
L	8h9 -0.0 -0.036	8h9 -0.0 -0.036	10h9 -0.0 -0.036	8h9 +0.0 -0.036	8h9 -0.0 -0.036
M	8	8	10	8	8
N	7	7	8	7	7
P	40	40	60	30	40
Weight (Without Brake)	4.8(10.58)	7.0(15.43)	12.0(26.46)	4.7(10.36)	6.7(12.57)
Weight (With Brake)	7.5(16.53)	9.7(21.38)	19.0(41.89)	6.3(13.89)	8.3(16.09)

NOTE 1) Dimensions are in millimeters. Weights are in kilograms (kg) and pounds(lbs).
2) The boxes (□) in the model names are for optional configurations (brake, shaft type and oil seal).

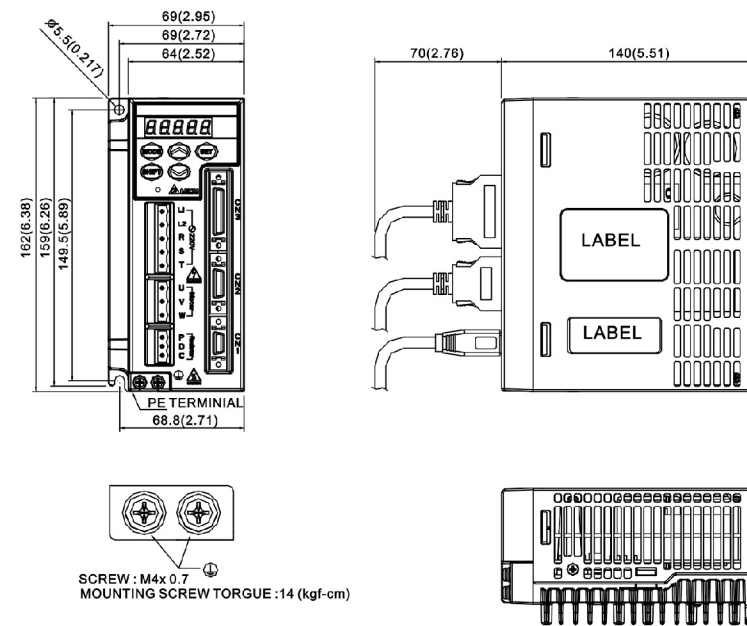
NOTE 1) Dimensions are in millimeters. Weights are in kilograms (kg) and pounds(lbs).
2) The boxes (□) in the model names are for optional configurations (brake, shaft type and oil seal).

AC Servo System

ASDA-AB

Dimensions of Servo Drive

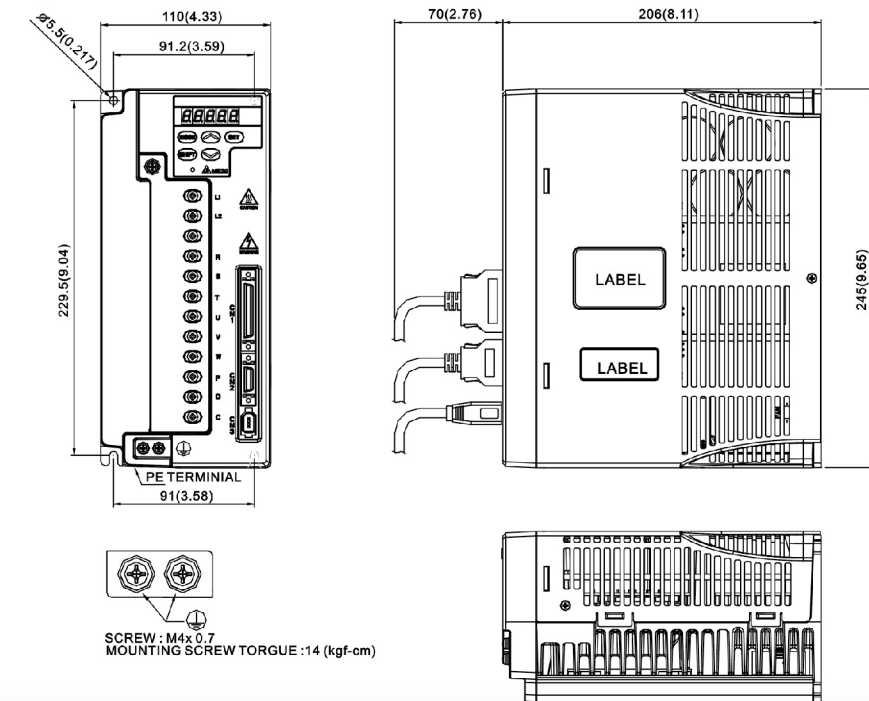
ASD-A0121-AB · ASD-A0221-AB · ASD-A0421-AB(100W~400W)



Weight
1.5(3.3)

NOTE 1) Dimensions are in millimeters (inches); Weights are in kilograms (kg) and (pounds (lbs)).
2) Dimensions and weights of the servo drives may be revised without prior notice.

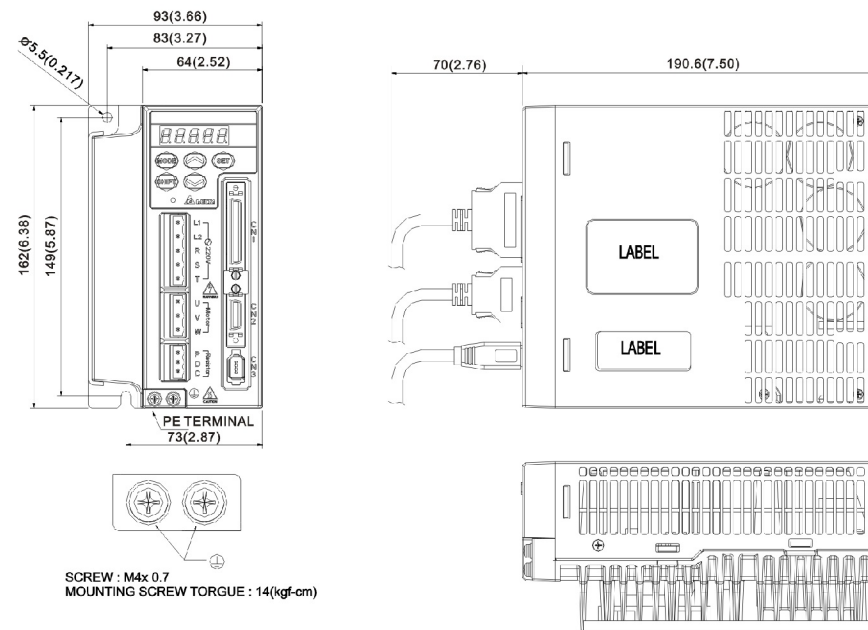
ASD-A2023 -AB (2kW) · ASD-A3023 -AB (3kW)



Weight
3.0(6.6)

NOTE 1) Dimensions are in millimeters (inches); Weights are in kilograms (kg) and (pounds (lbs)).
2) Dimensions and weights of the servo drives may be revised without prior notice.

ASD-A0721-AB · ASD-A1021-AB · ASD-A1521-AB(750W~1.5kW)



Weight
2.0(4.4)

NOTE 1) Dimensions are in millimeters (inches); Weights are in kilograms (kg) and (pounds (lbs)).
2) Dimensions and weights of the servo drives may be revised without prior notice.

