

FU-40G

Reflective Fiber Unit



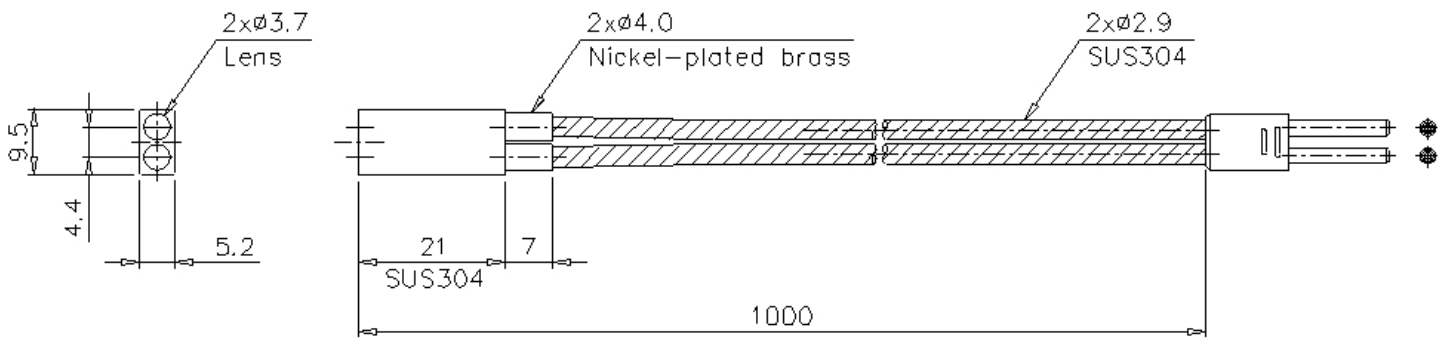
SPECIFICATIONS

Model	FU-40G ^{*1}	
Beam emitting direction	Top	
Aperture angle	Approx 8°	
Fibre unit length	1 m 39.37" cannot be cut	
Minimum bend radius	R10 mm 0.394" , stainless	
Environmental resistance	Ambient temperature	-40 to +50 °C -40 to 122 °F
Weight	Approx. 50 g	
*1 For details on the detecting distance, see the fiber amplifier catalog.		

Dimensions

* Download CAD file or product manual for larger image/text and more detail.

FU-40G



Mounting bracket

