

FU-80MTZ

Transmissive Fiber Unit



SPECIFICATIONS

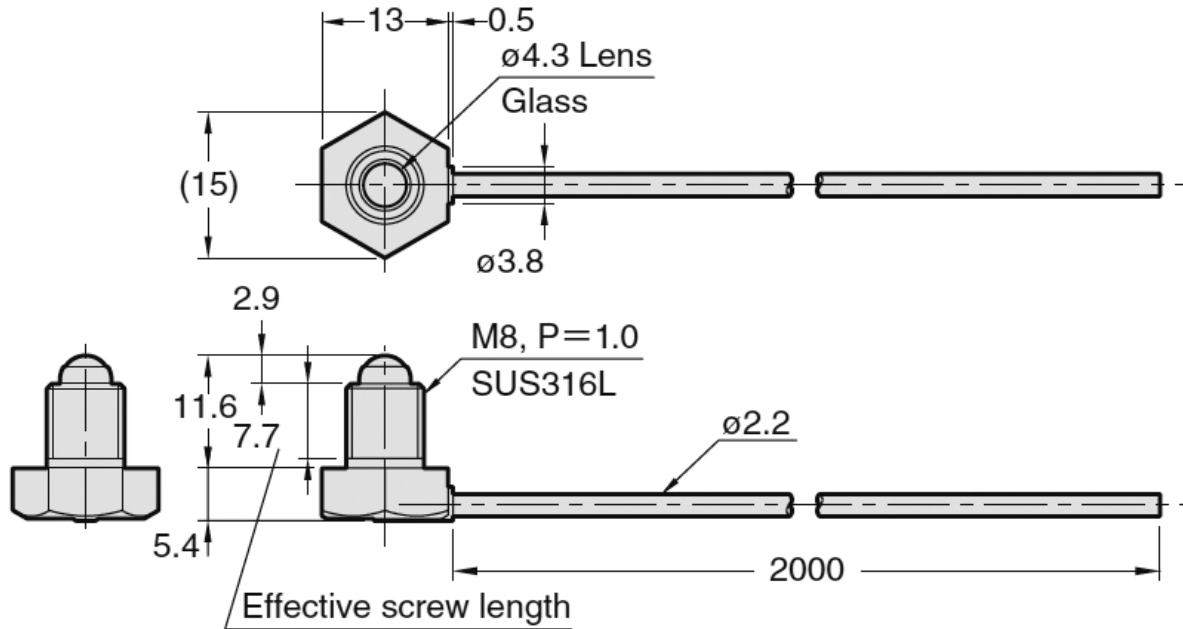
Model	FU-80MTZ ^{*1}	
Fibre unit length	2 m 6.56'	
Minimum bend radius	R2 mm	
Minimum detectable object	Opaque material with a diameter of 0.2 mm 0.008" ^{*2}	
Tightening torque	6N·m	
Environmental resistance	Ambient temperature	-20 to +100 °C -4 to 212 °F (No freezing)
	Relative humidity	35 to 85 % RH (No condensation)
Weight	Approx. 55 g	

^{*1} For details on the detecting distance, see the fiber amplifier catalog.
^{*2} The minimum detectable object is the value when the detecting distance and sensitivity have been set to their optimal state.

Dimensions

* Download CAD file or product manual for larger image/text and more detail.

FU-80MTZ Set of 2



- [Accessories]
- M8 nut : Across-flats = 13, t = 3.0, SUS316L
 - M8 spring washer : $\phi 15.4$, t = 2.0, SUS316L
 - M8 flat washer : $\phi 15.5$, t = 1.6 SUS316L