



FU-80TZ

Transmissive Fiber Unit

SPECIFICATIONS

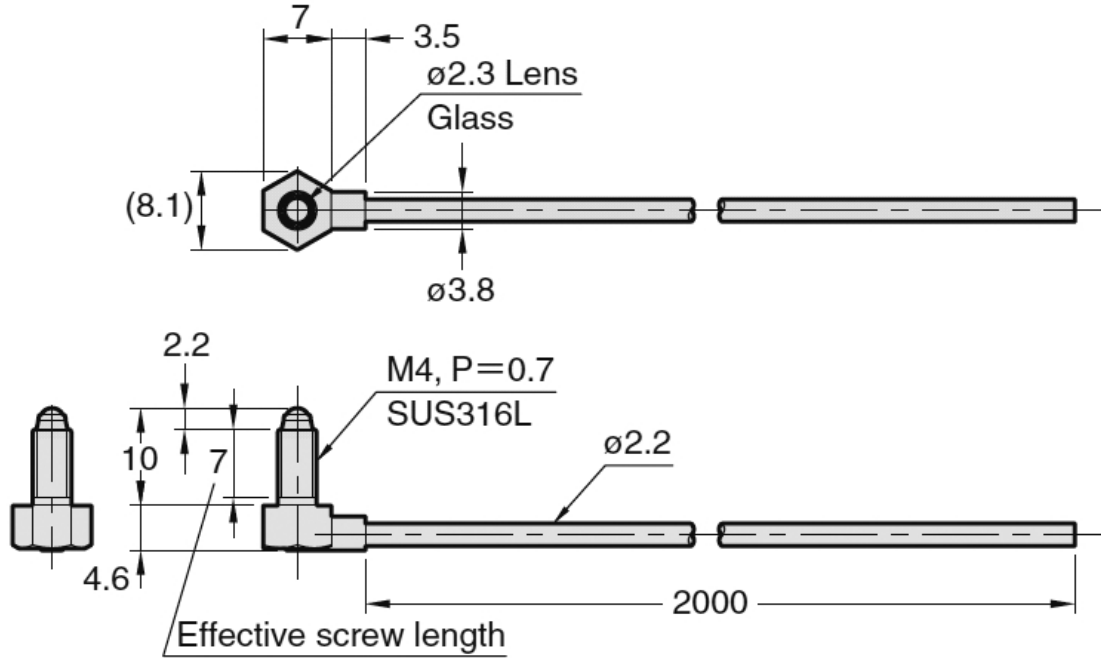
| | | |
|---------------------------|--|---|
| Model | FU-80TZ ^{*1} | |
| Fibre unit length | 2 m | |
| Minimum bend radius | R2 mm | |
| Minimum detectable object | Opaque material with a diameter of 0.1 mm ^{0.004} ^{*2} | |
| Tightening torque | 0.8N·m | |
| Environmental resistance | Ambient temperature | -20 to +100 °C -4 to 212 °F (No freezing) |
| | Relative humidity | 35 to 85 % RH (No condensation) |
| Weight | Approx. 30 g | |

^{*1} For details on the detecting distance, see the fiber amplifier catalog.
^{*2} The minimum detectable object is the value when the detecting distance and sensitivity have been set to their optimal state.

Dimensions

* Download CAD file or product manual for larger image/text and more detail.

FU-80TZ Set of 2



- [Accessories]
- M4 nut : Across-flats = 7, t = 3.2, SUS316L
 - M4 spring washer : $\phi 7.6$, t = 1.0, SUS316L
 - M4 flat washer : $\phi 8$, t = 0.8, SUS316L