

FU-94C

Liquid-level-detection Fiber Unit



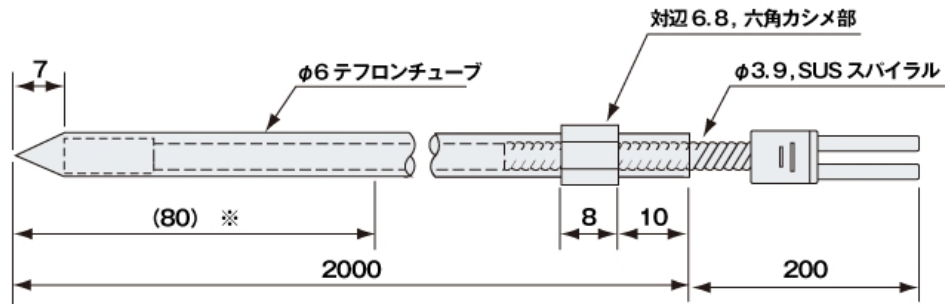
SPECIFICATIONS

Model	FU-94C	
Type	Reflective model fiber unit	
Fibre unit length	2 m78.74" (cannot be cut)	
Minimum bend radius	R40 mm1.575" ^{*1}	
Minimum detectable object	Liquid ^{*2,3}	
Repetition accuracy	1 mm0.039" or less (for water)	
Environmental resistance	Pressure resistance	-49 kPa to 490 kPa
	Ambient temperature	-40 to +200 °C -40 to 392 °F
Material	Case : fluorocarbon polymer, core fiber : multicomponent glass (inside a fluorocarbon polymer case)	
Weight	Approx. 90 g	
^{*1} The section 80 mm in length from the tip cannot be bent. ^{*2} It may not be possible to detect some liquids, such as those that have a milky white color. ^{*3} The minimum detectable object is the value when the detecting distance and sensitivity have been set to their optimal state.		

Dimensions

* Download CAD file or product manual for larger image/text and more detail.

fu_94c_dimension_01.gif



※この部分は曲げられません