

## FU-A10

Transmissive Fiber Unit, Area Type, 10-mm Wide

## SPECIFICATIONS

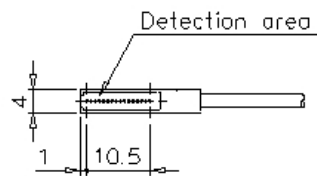
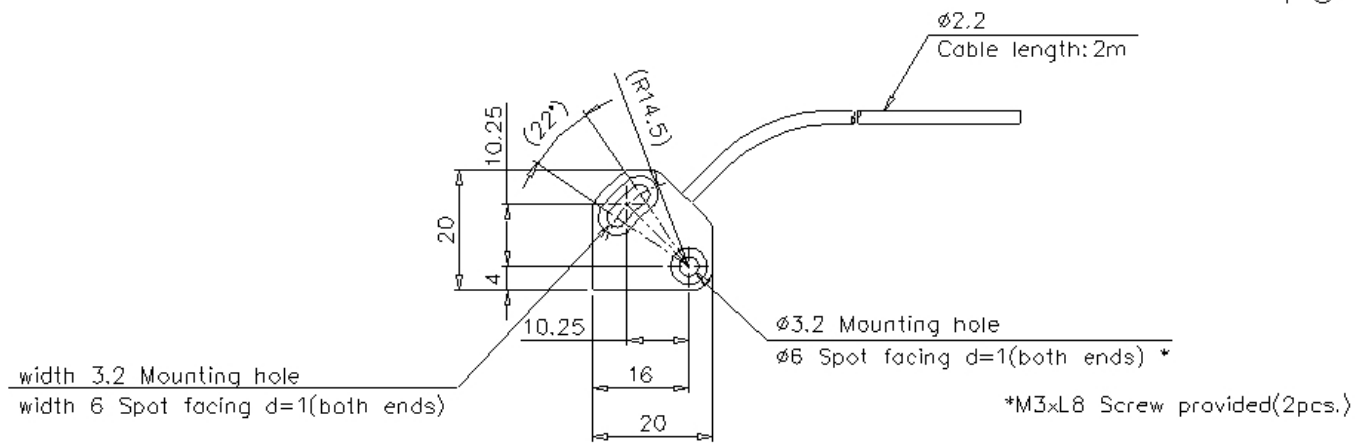
Model	FU-A10 <sup>*1</sup>	
Type	Array thru-beam model	
Optical axis diameter (Standard target to be detected)	11 × 0.3 mm 0.433" × 0.012"	
Fibre unit length	2 m 78.74" free-cut	
Fibre unit diameter	ø2.2	
Minimum bend radius	R4 mm 0.157" <sup>*2</sup>	
Minimum detectable object	Opaque material with a diameter of 0.4 mm 0.016" <sup>*3</sup>	
Tightening torque	0.3 Nm	
Environmental resistance	Enclosure rating	IP67
	Ambient temperature	-40 to +70 °C -40 to 158 °F (No freezing)
	Relative humidity	35 to 85 % RH (No condensation)
Material	Main unit case : polybutylene terephthalate, case tips : liquid-crystal polymer, core fiber : acrylic, fiber sheath : polyethylene	
Accessories	Mounting screws (M3 × f8), fiber cutter	
Weight	Approx. 20 g	

<sup>\*1</sup> For details on the detecting distance, see the fiber amplifier catalog.  
<sup>\*2</sup> The section 10 mm in length from the base of the case is R10.  
<sup>\*3</sup> The minimum detectable object is the value when the detecting distance and sensitivity have been set to their optimal state.

Dimensions

\* Download CAD file or product manual for larger image/text and more detail.

FU-A10



Detail of detection area

