

## FU-A40

Transmissive Fiber Unit



## SPECIFICATIONS

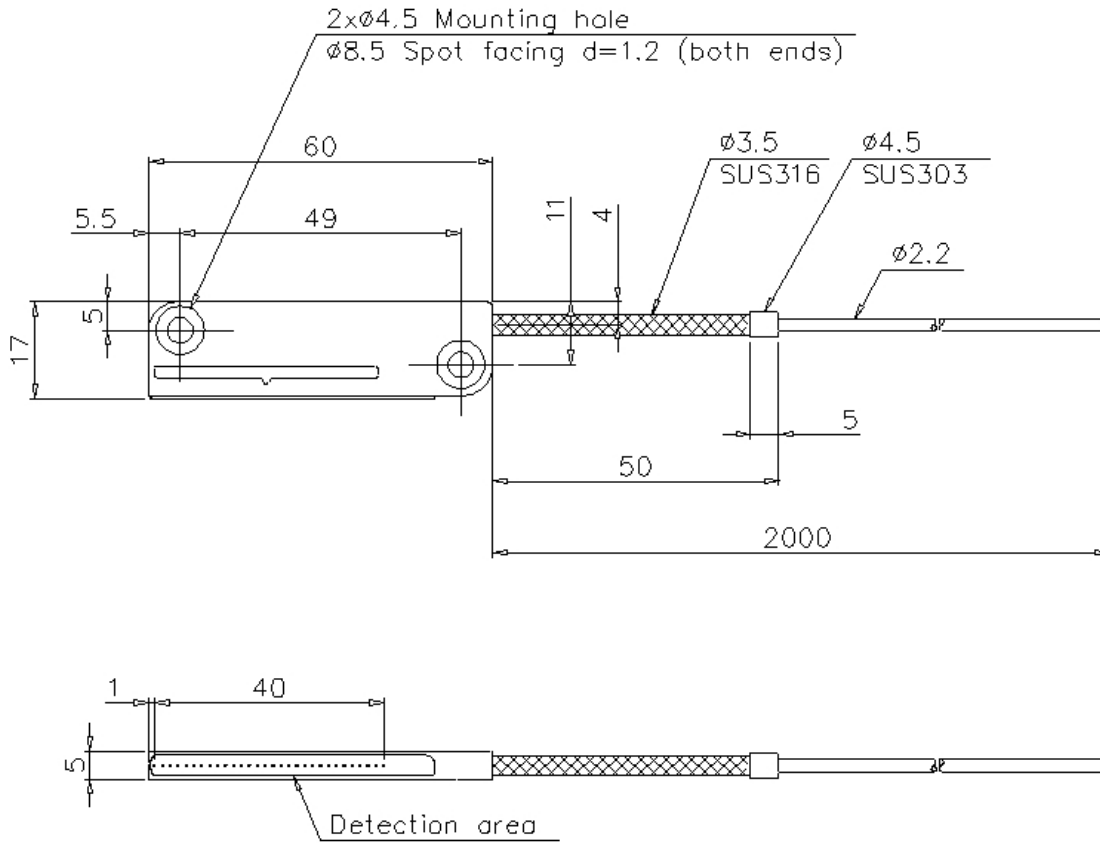
Model	FU-A40 <sup>*1</sup>	
Type	Array thru-beam 40 mm 1.57" type	
Optical axis area (Standard detection target) (mm inch)	40 × 0.25 mm 1.575" × 0.01"	
Fiber unit length	2 m 6.6' <sup>*2</sup> (Free-cut) ø2.2 mm ø0.09" Spiral parts cannot be cut	
Minimum bend radius	R10 mm 0.394"	
Minimum detectable object	ø2.5 mm ø0.10" opaque object <sup>*3</sup>	
Tightening torque	0.75 N·m	
Environmental resistance	Enclosure rating	IP67
	Ambient temperature	-20 to +50 °C -4 to 122 °F (No freezing)
	Relative humidity	35 to 85 % RH (No condensation)
Material	Case : Die-cast zinc, Detecting surface : PBT, Core fiber : Acrylic, Fiber sheath : Polyethylene	
Accessories	Fiber cutter, Mounting screws (M4 X L8, 4 units)	
Weight	Approx. 70 g	

<sup>\*1</sup> For details on the detecting distance, see the fiber amplifier catalog.  
<sup>\*2</sup> A 5 m 16.4' type is also available. Contact your nearest KEYENCE sales office.  
<sup>\*3</sup> The minimum detectable object was determined at the optimal detecting distance and sensitivity setting.

Dimensions

\* Download CAD file or product manual for larger image/text and more detail.

FU-A40



Case material : Zinc die-casting

\*Supplied screw (M4,L=8)

Detail of detection area

