



FU-E40

Transmissive Fiber Unit, Area Type, 40-mm Wide

SPECIFICATIONS

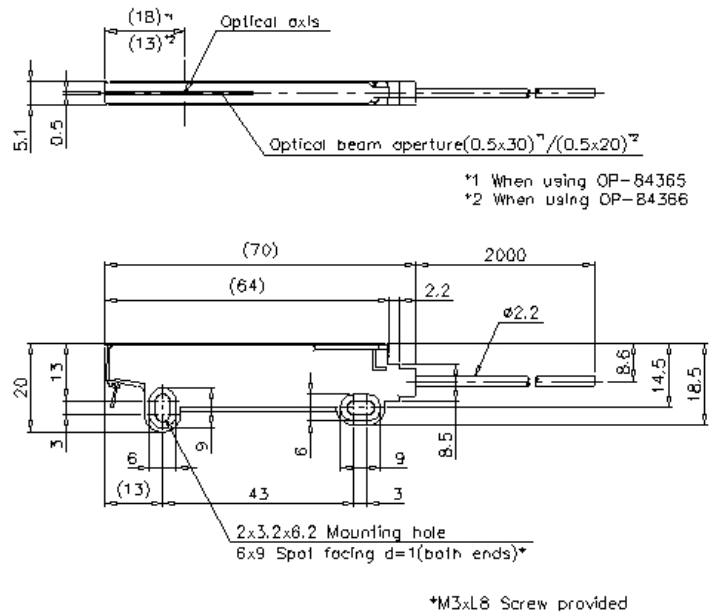
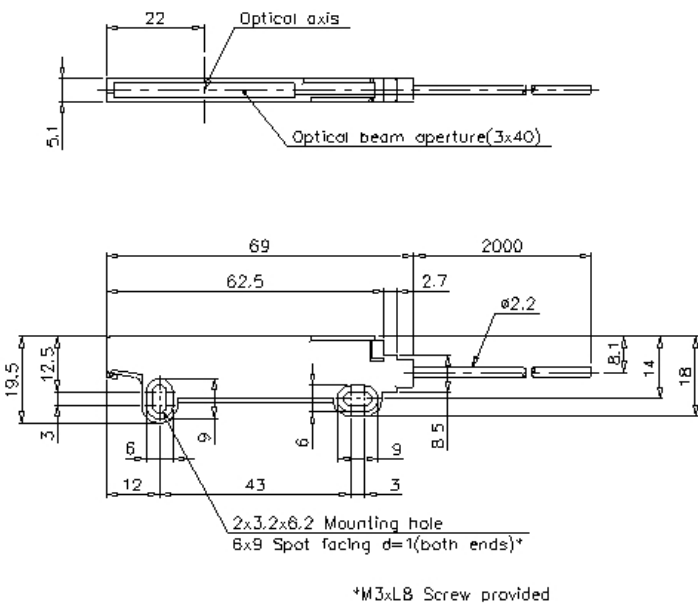
Model	FU-E40 ^{*1}	
Optical axis diameter (Standard target to be detected)	40 × 3 mm 1.575" × 0.118"	
Fibre unit length	2 m 78.74" free-cut	
Fibre unit diameter	ø2.2×2	
Minimum bend radius	R2 mm 0.079" Tough-Flex	
Environmental resistance	Ambient temperature	-40 to +50 °C -40 to 122 °F
Weight	Approx. 30 g	
^{*1} For details on the detecting distance, see the fiber amplifier catalog.		

Dimensions

* Download CAD file or product manual for larger image/text and more detail.

FU-E40

When slit plate is attached



*1 When using OP-84365
*2 When using OP-84366