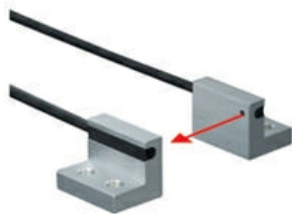


FU-L54Z

Transmissive Fiber Unit



SPECIFICATIONS

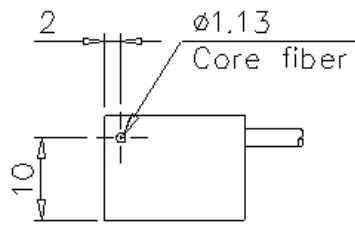
Model	FU-L54Z ^{*1}	
Optical axis diameter (Standard target to be detected)	ø1.13 mm0.044"	
Beam emitting direction	Side	
Optical axis height	10 mm0.394"	
Fibre unit length	2 m78.74" free-cut	
Fibre unit diameter	ø2.2	
Minimum bend radius	R2 mm0.079" Tough-Flex	
Minimum detectable object	Object with a diameter of 0.005 mm0.0002" ^{*2}	
Environmental resistance	Ambient temperature	-40 to +50 °C -40 to 122 °F
Weight	Approx. 30 g	

^{*1} For details on the detecting distance, see the fiber amplifier catalog.
^{*2} The minimum detectable object is the value when the detecting distance and sensitivity have been set to their optimal state.

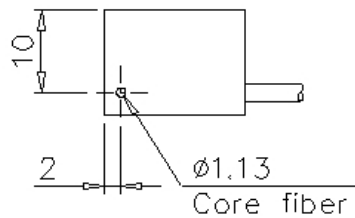
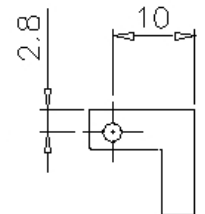
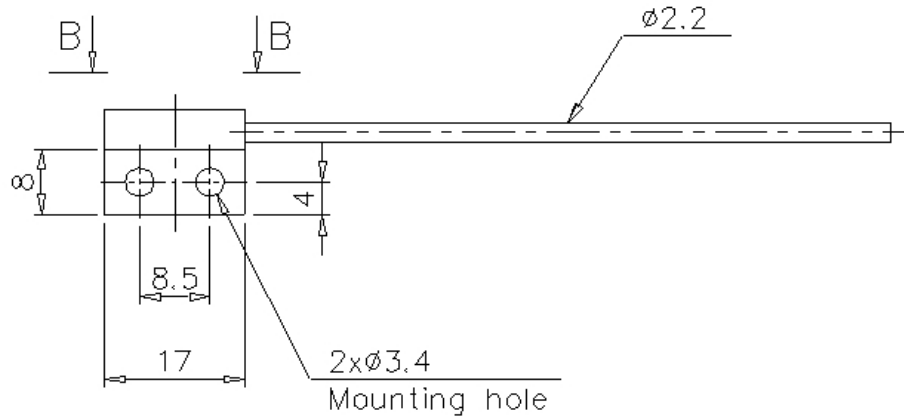
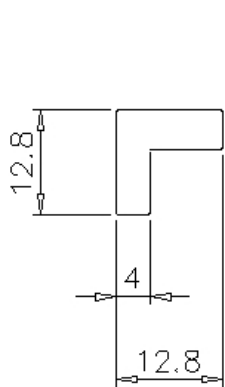
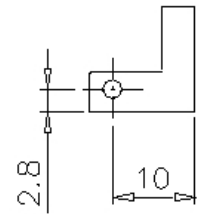
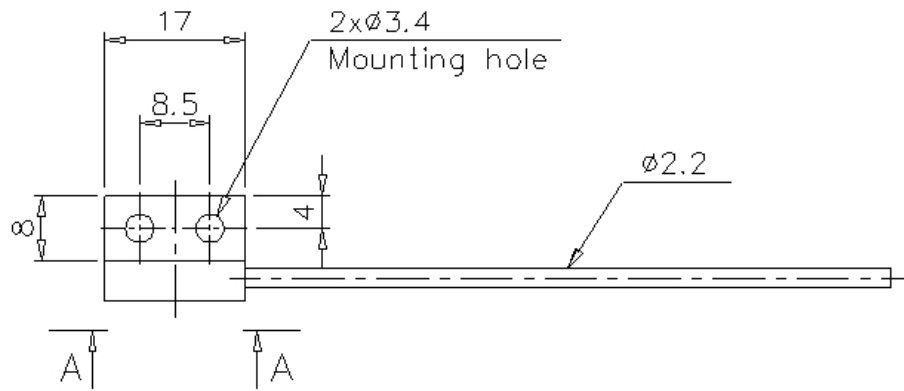
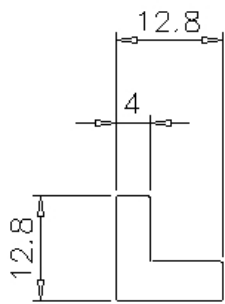
Dimensions

* Download CAD file or product manual for larger image/text and more detail.

FU-L54Z



View A-A



View B-B