



PQ-01

Main Unit, Short-distance Type

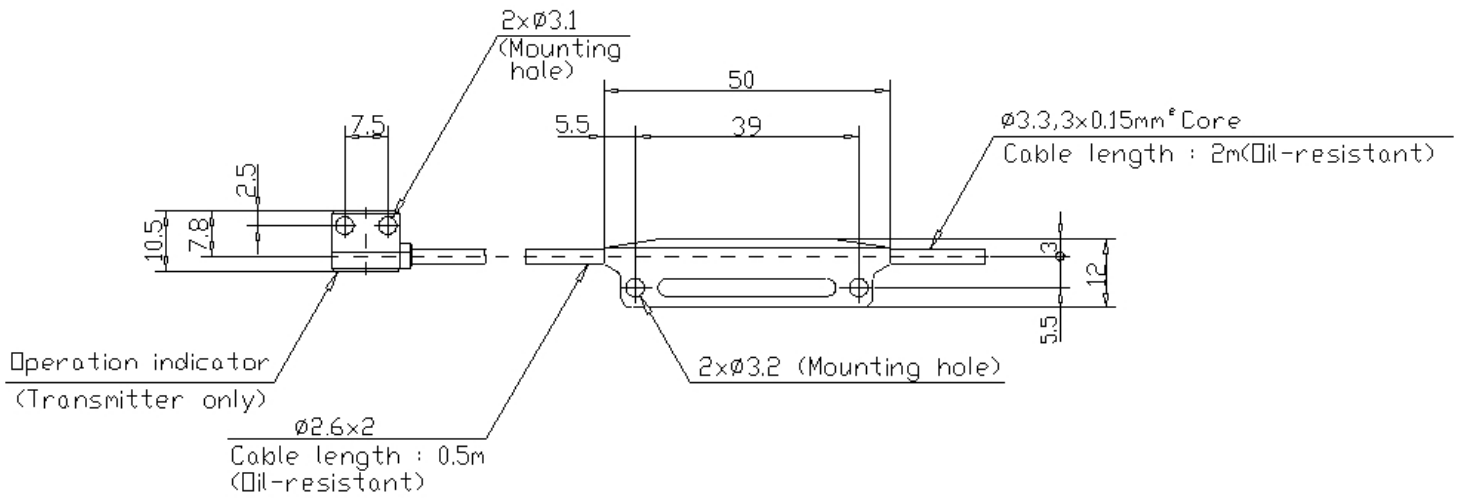
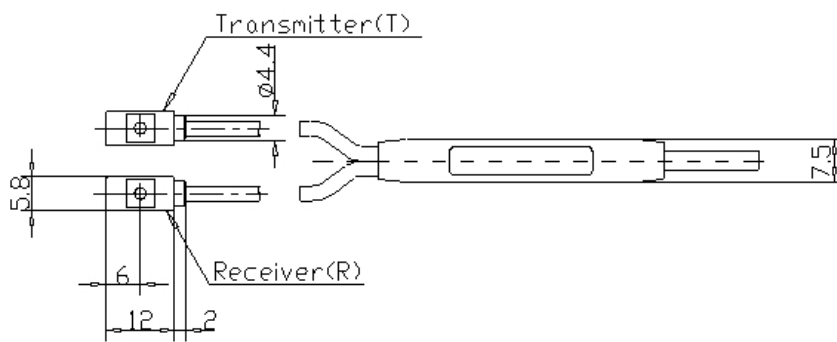
## SPECIFICATIONS

Model	PQ-01	
Type	Thrubeam Short-detecting distance	
Detecting distance	100 mm 3.94"	
Light source	Infrared LED	
Detectable object	1 mm 0.04" dia. min. opaque materials	
Minimum detectable object	0.5 mm 0.02" dia. copper wire	
Response time	1 ms max.	
Operation mode	DARK-ON <sup>*1</sup>	
Indicator lamp	Output: Red LED	
Control output	NPN: 100 mA max. (40 V max.), Residual voltage: 1 V max. <sup>*2</sup>	
Protection circuit	Reversed polarity, overcurrent protection, surge absorber	
Rating	Power voltage	12 to 24 VDC ±10 %, Ripple (P-P) 10 % or less
	Current consumption	30 mA or less
Environmental resistance	Enclosure rating	IP64
	Ambient light	Incandescent lamp: 3,000 lux max., Sunlight: 10,000 lux max.
	Ambient temperature	-20 to +55 °C -4 to 131 °F (No freezing)
	Relative humidity	35 to 85 % RH (No condensation)
	Vibration resistance	10 to 55 Hz, Double amplitude 1.5 mm 0.06", 2 hours in each of the X, Y, and Z directions
	Shock resistance	500 m/s <sup>2</sup> , 3 times in each of the X, Y, and Z directions
Material	Amplifier: Polysulfone, Sensor head: Polyarylate	
Weight	Approx. 48 g (including 2m 6.6' cable)	
<sup>*1</sup> For the LIGHT-ON operation mode, contact KEYENCE. <sup>*2</sup> NPN output can easily be converted to PNP output by connecting the optional OP-5148 PNP output converter.		

Dimensions

\* Download CAD file or product manual for larger image/text and more detail.

PQ-01



I/O Circuit Connection diagram

\* Download CAD file or product manual for larger image/text and more detail.

I/O Circuit

