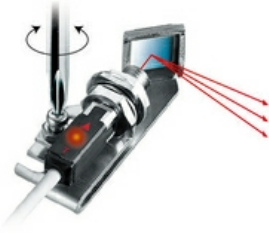


## LV-F1

## Side View Attachment



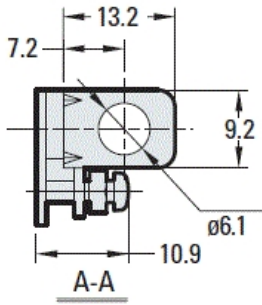
## SPECIFICATIONS

Model	LV-F1 <sup>*1</sup>	
Type	Side-view attachment for thru-beam	
Applicable model	LV-S71, LV-S72	
Detecting distance	MEGA	LV-S71: 250 mm 9.84", LV-S72: 400 mm 15.75" <sup>**2</sup>
	ULTRA	LV-S71: 250 mm 9.84", LV-S72: 400 mm 15.75"
	SUPER	
	TURBO	
	FINE	
	HSP	
Environmental resistance	Ambient temperature	-10 to +50 °C 14 to 122 °F (No freezing)
	Vibration resistance	10 to 55 Hz, Double amplitude 1.5 mm 0.06", 2 hours in each of the X, Y, and Z axis
Material	Main unit	Metal part: Stainless steel Mirror part: Glass
	Weight	Approx. 22 g
<sup>*1</sup> Contains a symmetrical mounting bracket (two in total). <sup>**2</sup> LV-N Series only.		

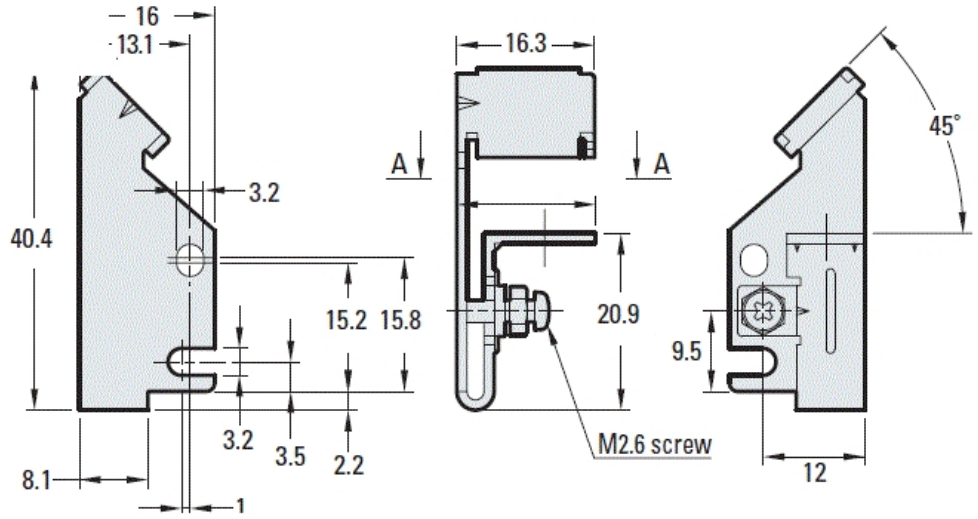
Dimensions

\* Download CAD file or product manual for larger image/text and more detail.

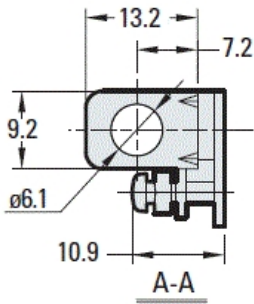
LV-F1



Material: Stainless steel t=1.2



M2.6, P=0.45 × 6 screws and nuts attached Material: Stainless steel



Material: Stainless steel t=1.2

